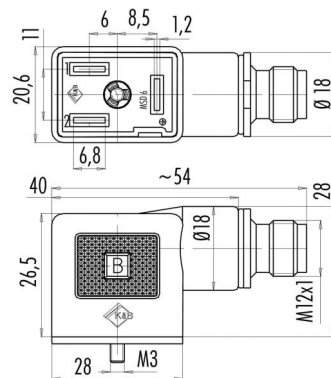


Product Area	Adapter Female power connector industrial standard, M12 Size B	Pole Article number	2+PE 99 5712 00 03
--------------	-------------------------------------------------------------------	---------------------	-----------------------

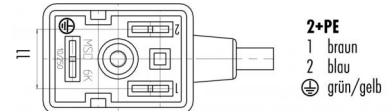
illustration



scale drawing



Contact Arrangement



Technical data

Common values

Connector Design	Adapter
Connector locking system	central screw
Termination	screw
Wire gauge (mm)	0,34 mm ²
Wire gauge (AWG)	22
Upper temperature	+85 °C
Lower temperature	-20 °C

Electrical values

Rated voltage	250 V
Rated impulse voltage	8000 V
Pollution degree	3
Overvoltage category	II
Material group	II
Rated current (40°C)	4 A
Volume resistivity	≤ 15 mΩ
EMV compliance	not shielded
Degree of protection	IP 65
Mechanical operation	> 50 mating cycles

Material

Material of contact	CuSn (bronze), CuZn (brass)
Contact plating	Ni (nickel)/ Au (gold)
Material of contact body	PA (UL 94 HB)
Material of housing	PA (UL 94 HB)

Cable data

material housing	-
insulation single lead	-
single lead structure	-
conductor resistance	-
bending radius cable fixed	-
bending radius cable movable	-

Contacts: 2+PE, Adapter Female power connector industrial standard, M12

