

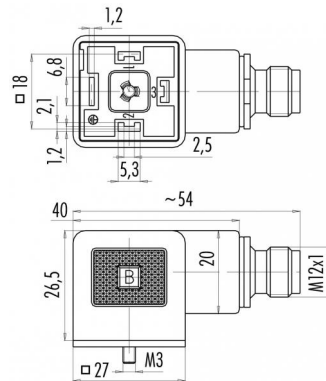
Product Area Adapter, high housing, Female power connector DIN EN 175301-803, M12 serie 210/A

Pole 3+PE
Article number 99 5702 00 04

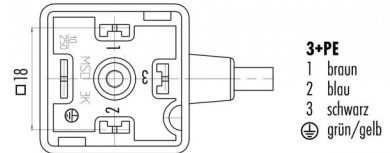
illustration



scale drawing



Contact Arrangement



Technical data

Common values

Connector Design	Adapter
Connector locking system	central screw
Termination	screw, solder
Wire gauge (mm)	0,34 mm ²
Wire gauge (AWG)	22
Upper temperature	+85 °C
Lower temperature	-30 °C

Electrical values

Rated voltage	250 V
Rated impulse voltage	800 V
Pollution degree	3
Overvoltage category	II
Material group	II
Rated current (40 °C)	4 A
Volume resistivity	≤ 15 mΩ
EMV compliance	not shielded
Degree of protection	IP 65
Mechanical operation	> 50 mating cycles

Material

Material of contact	CuSn (bronze), CuZN (brass)
Contact plating	Ni (nickel)/ Au (gold)
Material of contact body	PA (UL 94 HB)
Material of housing	PA (UL 94 HB)

Cable data

material housing	-
insulation single lead	-
single lead structure	-
conductor resistance	-
bending radius cable fixed	-
bending radius cable movable	-

Contacts: 3+PE, Adapter, high housing, Female power connector DIN EN 175301-803, M12

