

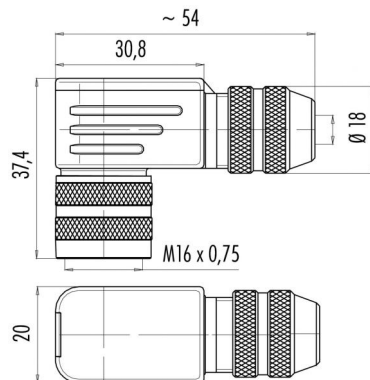
Product Female angled connector, cable outlet 6-7,8 mm
Area M16 connectors IP 67 serie 423

Pole 14
Article number 99 5652 75 14

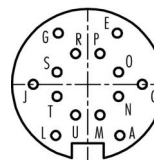
illustration



scale drawing

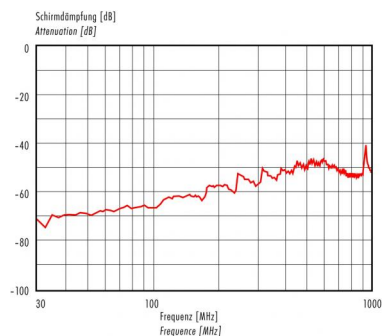


Contact Arrangement



| | X | Y |
|---|-------|-------|
| A | 2,50 | -4,00 |
| C | 4,25 | 0,00 |
| E | 2,30 | 4,00 |
| G | -2,30 | 4,00 |
| J | -4,25 | 0,00 |
| L | -2,50 | 4,00 |
| M | 0,95 | -2,40 |
| N | 2,40 | -0,95 |
| O | 2,40 | 0,95 |
| P | 0,95 | 2,40 |
| R | -0,95 | 2,40 |
| S | -2,40 | 0,95 |
| T | -2,40 | -0,95 |
| U | -0,95 | -2,40 |

Attenuation characteristic



You can find the item description and assembly instruction on the next page.

Technical data

Common values

| | |
|--------------------------|-------------------------------|
| Connector Design | Female angled cable connector |
| Connector locking system | Screw |
| Termination | solder |
| Wire gauge (mm) | 0,25 mm ² |
| Wire gauge (AWG) | 24 |
| Cable outlet | 6 - 8 mm |
| Upper temperature | +95 °C |
| Lower temperature | -40 °C |

Material

| | |
|--------------------------|----------------------------|
| Material of contact | CuSn (bronze) |
| Contact plating | Au (gold) |
| Material of contact body | PBT (UL 94 V-0) |
| Material of housing | CUZn (brass nickel plated) |

Cable data

Contacts 14, female angled connector, shieldable, cable outlet 6 - 8 mm, gold plated contacts

Electrical values

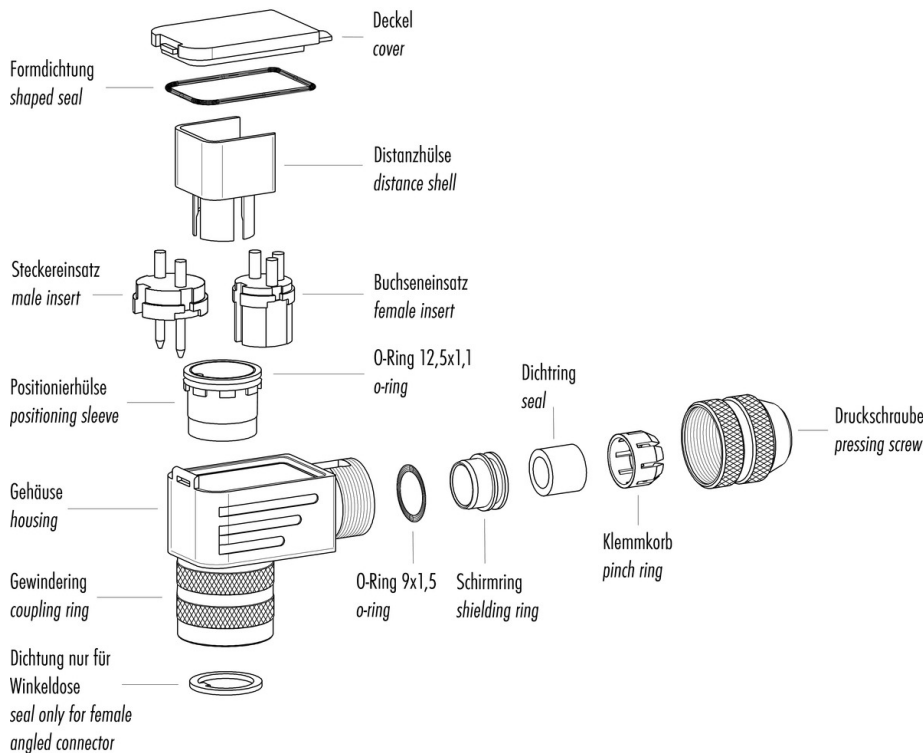
| | |
|-----------------------|--------------------|
| Rated voltage | 60 V |
| Rated impulse voltage | 500 V |
| Pollution degree | 1 |
| Overvoltage category | I |
| Material group | III |
| Rated current (40°C) | 3 A |
| Volume resistivity | ≤ 3 mΩ |
| EMV compliance | shielded |
| Degree of protection | IP 67 |
| Mechanical operation | >500 mating cycles |



Product Female angled connector, cable outlet 6-7,8 mm
Area M16 connectors IP 67 serie 423

Pole 14
Article number 99 5652 75 14

Item description



Installation instructions / Mounting cutout

Winkelversion

1. Dichtungen montieren (3x).
2. Kabelteile auffädeln.
3. Kabel und Schirm abmanteln.
4. Litzen durch das Gehäuse fädeln.
5. Schirmring, Klemmkorb montieren.
6. Druckschraube leicht andrehen.
7. Litzen an Kontakteinsatz löten.
8. Verdrehhülse in Winkelstellung montieren.
9. Kontakteinsatz, Distanzhülse einsetzen.
10. Deckel einhaken.
11. Druckschraube festziehen (ca. 10-20 Nm).

Angled version

1. Assemble sealing rings (3x).
2. Bead cable parts.
3. Dismantle cable and shielding braid.
4. Push single wires through housing.
5. Mount shielding ring and pinch ring.
6. Slightly fix pressing screw.
7. Solder wires to insert.
8. Mount positioning sleeve in angled position.
9. Put in insert and distance sleeve.
10. Mount lid.
11. Fix pressing screw (approx. 10-20 Nm).

