

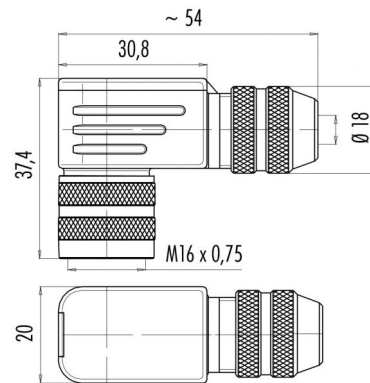
Product Area Winkeldose, Crimpanschluss, schirmbar, PG 9, Kabeldurchlass 6-8 mm
M16 connectors IP 67 serie 423

Pole 7
Article number 99 5626 750 07

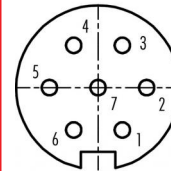
illustration



scale drawing



Contact Arrangement



	X	Y
1	1,75	-3,03
2	3,50	0,00
3	1,75	3,03
4	-1,75	3,03
5	-3,50	0,00
6	-1,75	-3,03
7	0,00	0,00

You can find the item description on the next page.

Technical data

Common values

Connector Design	Female angled cable connector
Termination	crimp
Wire gauge (mm)	0,14-0,75 mm ²
Cable outlet	6 - 8 mm
Upper temperature	+95 °C
Lower temperature	-40 °C

Material

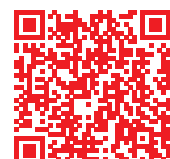
Material of contact	CuSn (bronze)
Contact plating	Ag (silver)
Material of contact body	PBT (UL 94 V-0)
Material of housing	CUZn (brass nickel plated)

Electrical values

Rated voltage	125 V
Rated impulse voltage	800 V
Pollution degree	1
Overvoltage category	I
Material group	III
Rated current (40°C)	5 A
Volume resistivity	≤ 5 mΩ
Degree of protection	IP 67
Mechanical operation	>500 mating cycles

Cable data

Polzahl: 7, Winkeldose, Crimpanschluss, schirmbar, Kabeldurchlass 6 - 8 mm



Product Area	Winkeldose, Crimpanschluss, schirmbar, PG 9, Kabeldurchlass 6-8 mm M16 connectors IP 67 serie 423	Pole	7
		Article number	99 5626 750 07

Item description

