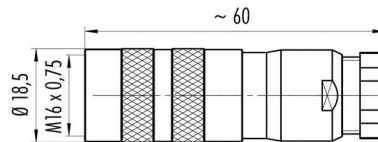


Product Area	Female cable connector with cable clamp, crimp connection, shieldable, cable outlet 6 - 8 mm M16 connectors IP 67	Pole serie 423	6 DIN Article number 99 5622 700 06
--------------	--	----------------	--

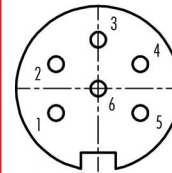
illustration



scale drawing



Contact Arrangement



	X	Y
1	-3,03	-1,75
2	-3,03	1,75
3	0,00	3,50
4	3,03	1,75
5	3,03	-1,75
6	0,00	0,00

You can find the item description and assembly instruction on the next page.

Technical data

Common values

Connector Design	Female cable connector
Termination	crimp
Wire gauge (AWG)	26-18
Cable outlet	6 - 8 mm
Upper temperature	+95 °C
Lower temperature	-40 °C

Material

Material of contact	CuSn (bronze)
Contact plating	Ag (silver)
Material of contact body	PBT (UL 94 V-0)
Material of housing	CUZn (brass nickel plated)

Electrical values

Rated voltage	250 V
Rated impulse voltage	1500 V
Pollution degree	1
Overvoltage category	I
Material group	III
Rated current (40°C)	5 A
Volume resistivity	≤ 5 mΩ
Degree of protection	IP 67
Mechanical operation	>500 mating cycles

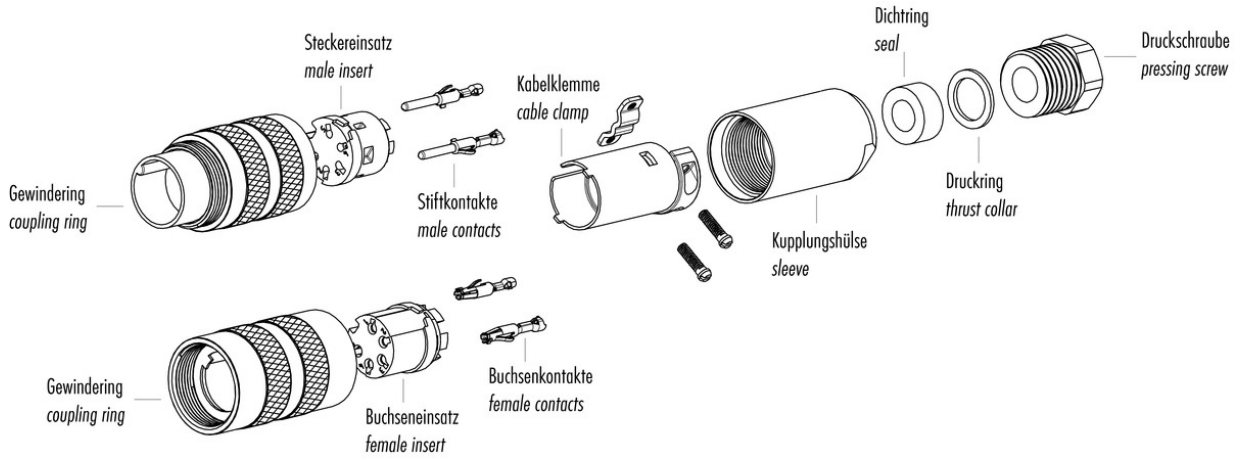
Cable data

Polzahl: 6 DIN, Kabeldose mit Kabelklemme, Crimpanschluss, schirmbar, Kabeldurchlass 6 - 8 mm

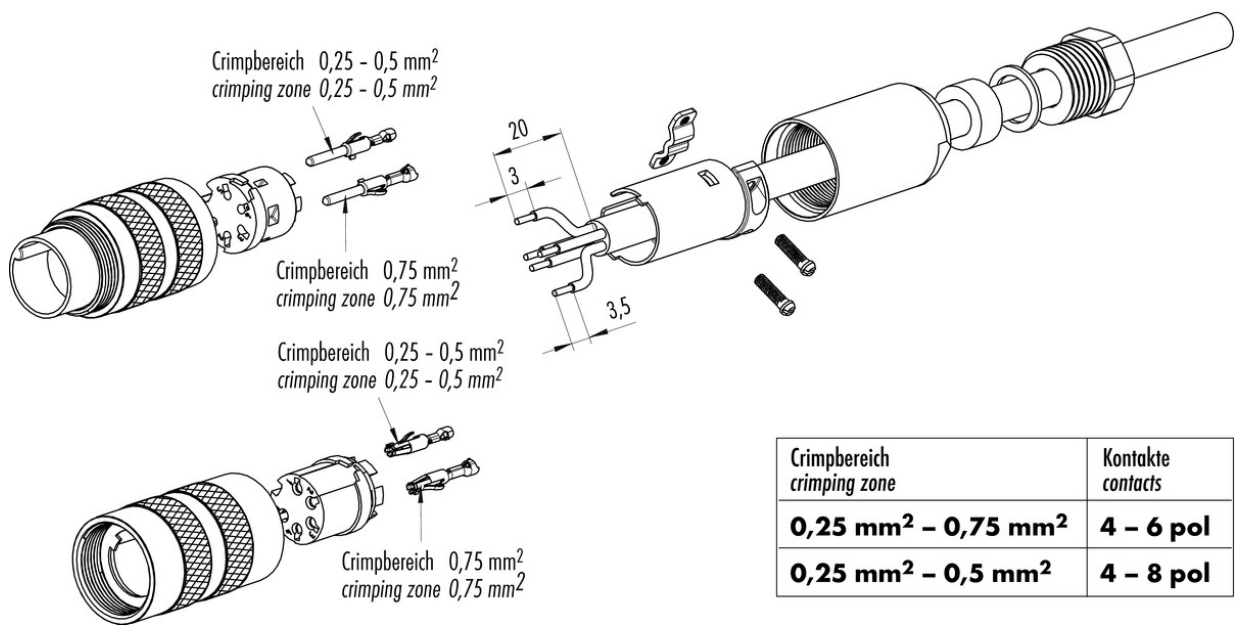


Product Area	Female cable connector with cable clamp, crimp connection, shieldable, cable outlet 6 - 8 mm M16 connectors IP 67 serie 423	Pole Article number	6 DIN 99 5622 700 06
--------------	---	---------------------	-------------------------

Item description



Installation instructions / Mounting cutout



Crimpbereich crimping zone	Kontakte contacts
0,25 mm <sup>2</sup> - 0,75 mm <sup>2</sup>	4 - 6 pol
0,25 mm <sup>2</sup> - 0,5 mm <sup>2</sup>	4 - 8 pol