

Product Winkelstecker, Crimpanschluss, schirmbar, PG 9, Kabeldurchlass 6-8 mm  
Area M16 connectors IP 67 serie 423

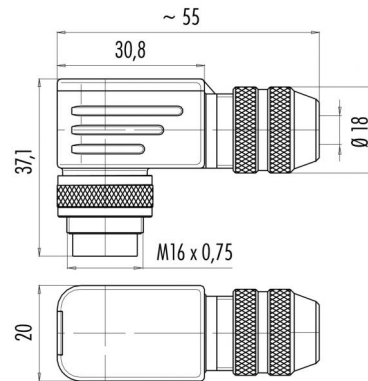
Pole 6 DIN  
Article number 99 5621 750 06

illustration

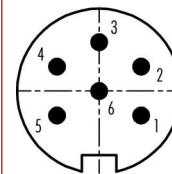


You can find the item description on the next page.

scale drawing



Contact Arrangement



	X	Y
1	3,03	-1,75
2	3,03	1,75
3	0,00	3,50
4	-3,03	1,75
5	-3,03	-1,75
6	0,00	0,00

Technical data

Common values

Connector Design	Male angled cable connector
Termination	crimp
Wire gauge (AWG)	26-18
Cable outlet	6 - 8 mm
Upper temperature	+95 °C
Lower temperature	-40 °C

Material

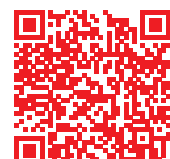
Material of contact	CuZn (brass)
Contact plating	Ag (silver)
Material of contact body	PBT (UL 94 V-0)
Material of housing	CUZn (brass nickel plated)

Electrical values

Rated voltage	250 V
Rated impulse voltage	1500 V
Pollution degree	1
Overvoltage category	I
Material group	III
Rated current (40°C)	5 A
Volume resistivity	≤ 5 mΩ
Degree of protection	IP 67
Mechanical operation	>500 mating cycles

Cable data

Polzahl: 6 DIN, Winkelstecker, Crimpanschluss, schirmbar, Kabeldurchlass 6 - 8 mm



Product Winkelstecker, Crimpanschluss, schirmbar, PG 9, Kabeldurchlass 6-8 mm  
Area M16 connectors IP 67 serie 423

Pole 6 DIN  
Article number 99 5621 750 06

Date: 2014-07-20 - Page 2 of 2

Item description

