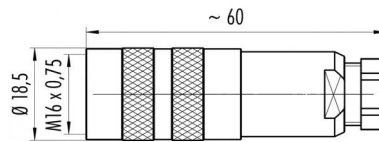


Product Area	Female cable connector with cable clamp, crimp connection, shieldable, cable outlet 4 - 6 mm M16 connectors IP 67	Pole serie 423	8 DIN Article number 99 5172 700 08
--------------	--	----------------	--

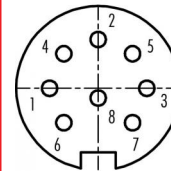
illustration



scale drawing



Contact Arrangement



	X	Y
1	-3,50	0,00
2	0,00	3,50
3	3,50	0,00
4	-2,47	2,47
5	2,47	2,47
6	-2,47	-2,47
7	2,47	-2,47
8	0,00	-0,70

You can find the item description and assembly instruction on the next page.

Technical data

Common values

Connector Design	Female cable connector
Termination	crimp
Wire gauge (mm)	0,14-0,75 mm <sup>2</sup>
Cable outlet	4 - 6 mm
Upper temperature	+95 °C
Lower temperature	-40 °C

Material

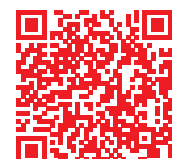
Material of contact	CuSn (bronze)
Contact plating	Ag (silver)
Material of contact body	PBT (UL 94 V-0)
Material of housing	CUZn (brass nickel plated)

Cable data

Polzahl: 8, Kabeldose mit Kabelklemme, Crimpanschluss, schirmbar, Kabeldurchlass 4 - 6 mm

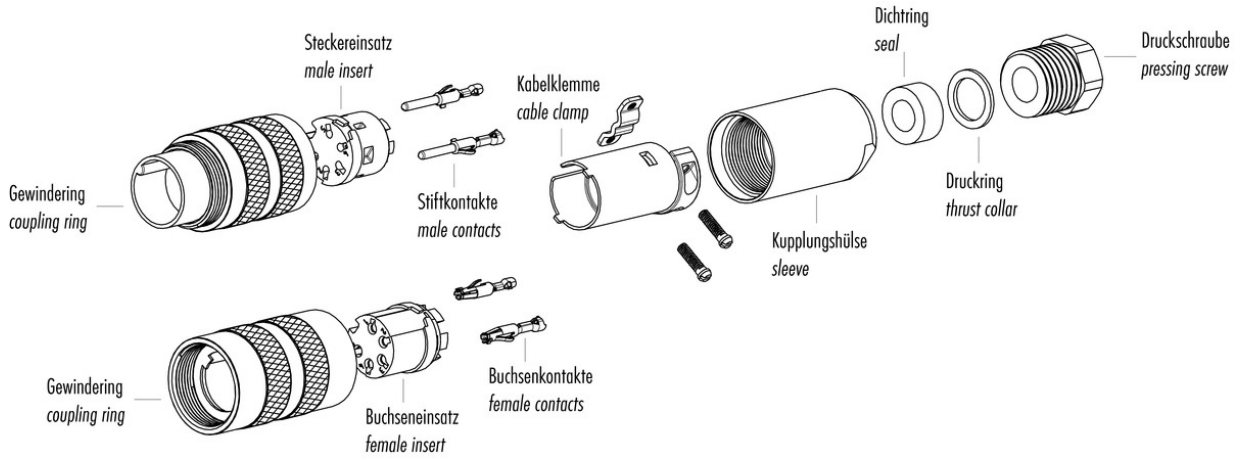
Electrical values

Rated voltage	60 V
Rated impulse voltage	500 V
Pollution degree	1
Overvoltage category	I
Material group	III
Rated current (40°C)	5 A
Volume resistivity	≤ 5 mΩ
Degree of protection	IP 67
Mechanical operation	>500 mating cycles

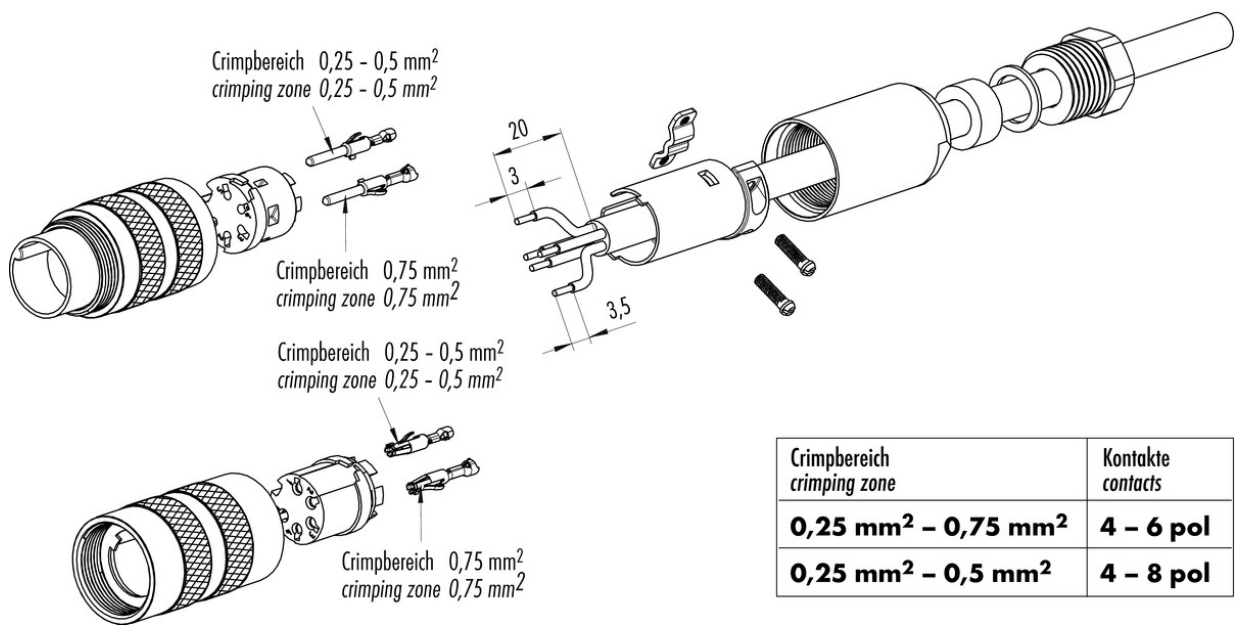


Product Area	Female cable connector with cable clamp, crimp connection, shieldable, cable outlet 4 - 6 mm M16 connectors IP 67 serie 423	Pole Article number	8 DIN 99 5172 700 08
--------------	---	---------------------	-------------------------

Item description



Installation instructions / Mounting cutout



Crimpbereich crimping zone	Kontakte contacts
0,25 mm <sup>2</sup> - 0,75 mm <sup>2</sup>	4 - 6 pol
0,25 mm <sup>2</sup> - 0,5 mm <sup>2</sup>	4 - 8 pol