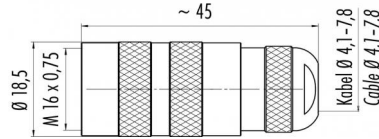


Product Area	Kabeldose, Kurzversion, Crimpanschluss Kabeldurchlass 4-8 mm M16 connectors IP 67	Pole	6
	serie 423	Article number	99 5122 740 06

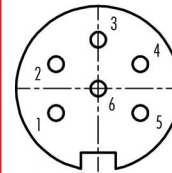
illustration



scale drawing



Contact Arrangement



	X	Y
1	-3,03	-1,75
2	-3,03	1,75
3	0,00	3,50
4	3,03	1,75
5	3,03	-1,75
6	0,00	0,00

You can find the item description and assembly instruction on the next page.

Technical data

Common values

Connector Design	Female cable connector
Termination	crimp
Wire gauge (AWG)	26-18
Cable outlet	4 - 8 mm
Upper temperature	+95 °C
Lower temperature	-40 °C

Material

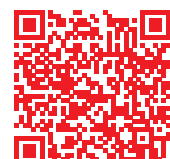
Material of contact	CuSn (bronze)
Contact plating	Au (gold)
Material of contact body	PBT (UL 94 V-0)
Material of housing	CUZn (brass nickel plated)

Cable data

Polzahl: 6, Kabeldose, Kurzversion,
Crimpanschluss, Kabeldurchlass 4 - 8 mm

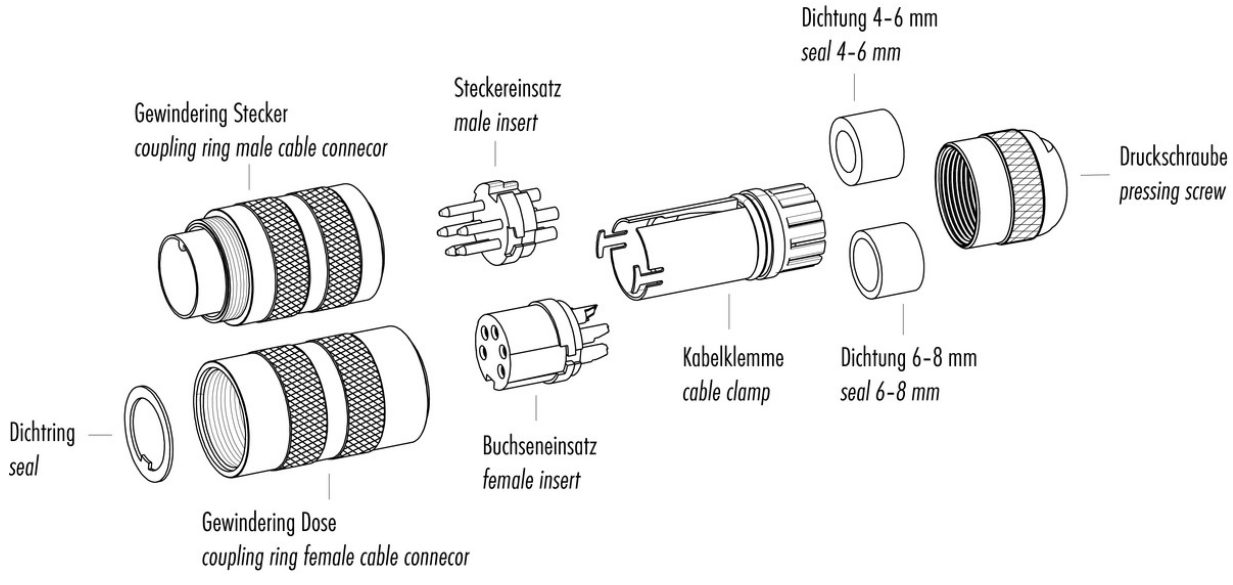
Electrical values

Rated voltage	250 V
Rated impulse voltage	1500 V
Pollution degree	1
Overvoltage category	I
Material group	III
Rated current (40°C)	5 A
Volume resistivity	≤ 3 mΩ
Degree of protection	IP 67
Mechanical operation	>500 mating cycles

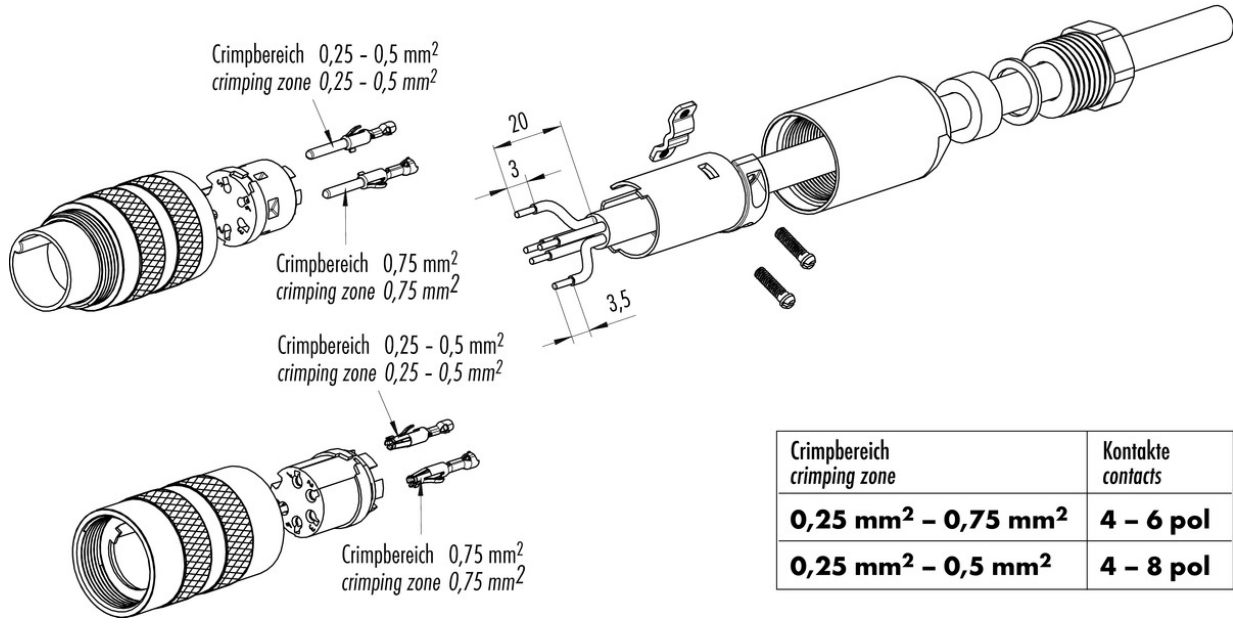


Product Area	Kabeldose, Kurzversion, Crimpanschluss Kabeldurchlass 4-8 mm serie 423	Pole	6
	M16 connectors IP 67	Article number	99 5122 740 06

Item description



Installation instructions / Mounting cutout



Crimpbereich crimping zone	Kontakte contacts
0,25 mm ² - 0,75 mm ²	4 - 6 pol
0,25 mm ² - 0,5 mm ²	4 - 8 pol