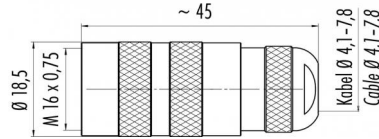


| | | | |
|--------------|--|----------------|----------------|
| Product Area | Kabeldose, Kurzversion, Crimpanschluss Kabeldurchlass 4-8 mm serie 423 | Pole | 4 |
| | M16 connectors IP 67 | Article number | 99 5110 740 04 |

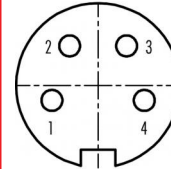
illustration



scale drawing



Contact Arrangement



| | X | Y |
|---|-------|-------|
| 1 | -3,32 | -1,08 |
| 2 | -2,05 | 2,83 |
| 3 | 2,05 | 2,83 |
| 4 | 3,32 | -1,08 |

You can find the item description and assembly instruction on the next page.

Technical data

Common values

| | |
|-------------------|------------------------|
| Connector Design | Female cable connector |
| Termination | crimp |
| Wire gauge (AWG) | 26-18 |
| Cable outlet | 4 - 8 mm |
| Upper temperature | +95 °C |
| Lower temperature | -40 °C |

Material

| | |
|--------------------------|----------------------------|
| Material of contact | CuSn (bronze) |
| Contact plating | Au (gold) |
| Material of contact body | PBT (UL 94 V-0) |
| Material of housing | CUZn (brass nickel plated) |

Electrical values

| | |
|-----------------------|--------------------|
| Rated voltage | 250 V |
| Rated impulse voltage | 1500 V |
| Pollution degree | 1 |
| Overvoltage category | I |
| Material group | III |
| Rated current (40°C) | 6 A |
| Volume resistivity | ≤ 3 mΩ |
| Degree of protection | IP 67 |
| Mechanical operation | >500 mating cycles |

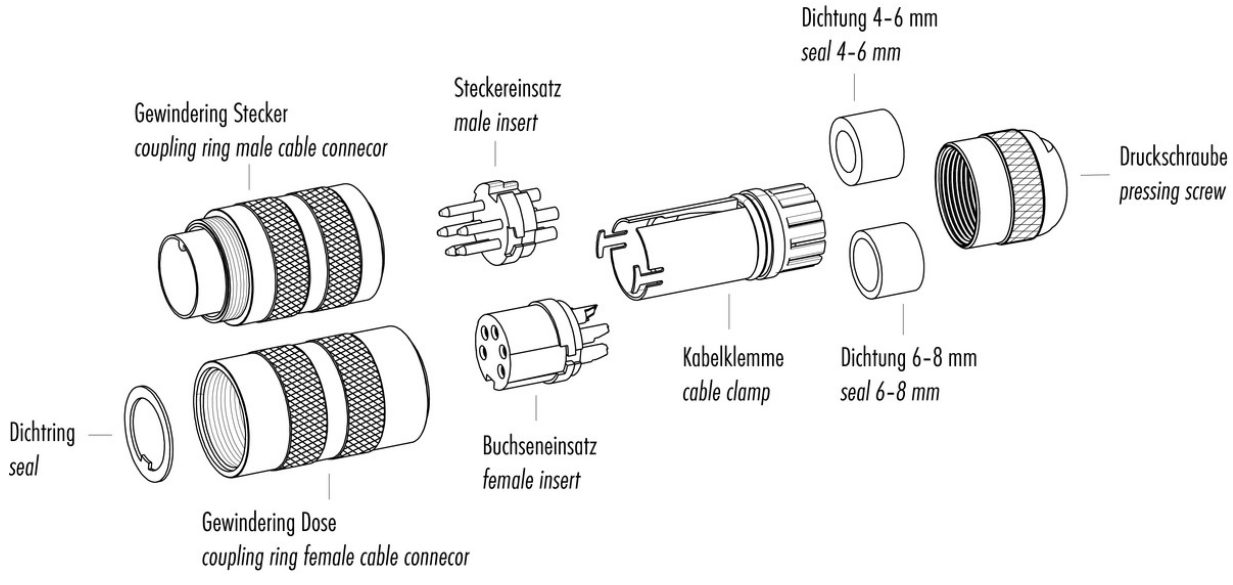
Cable data

Polzahl: 4, Kabeldose, Kurzversion, Crimpanschluss Kabeldurchlass 4-8 mm



| | | | |
|--------------|--|----------------|----------------|
| Product Area | Kabeldose, Kurzversion, Crimpanschluss Kabeldurchlass 4-8 mm serie 423 | Pole | 4 |
| | M16 connectors IP 67 | Article number | 99 5110 740 04 |

Item description



Installation instructions / Mounting cutout

