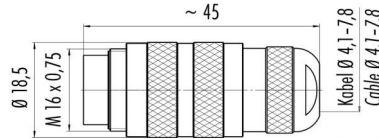


Product Area	Kabelstecker, Kurzversion, Crimpanschluss, Kabeldurchlass 4-8 mm M16 connectors IP 67	serie 423	Pole	4	Article number	99 5109 740 04
--------------	--	-----------	------	---	----------------	----------------

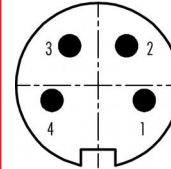
illustration



scale drawing



Contact Arrangement



	X	Y
1	3,32	-1,08
2	2,05	2,83
3	-2,05	2,83
4	-3,32	-1,08

You can find the item description and assembly instruction on the next page.

Technical data

Common values

Connector Design	Male cable connector
Termination	crimp
Wire gauge (AWG)	26-18
Cable outlet	4 - 8 mm
Upper temperature	+95 °C
Lower temperature	-40 °C

Material

Material of contact	CuZn (brass)
Contact plating	Au (gold)
Material of contact body	PBT (UL 94 V-0)
Material of housing	CUZn (brass nickel plated)

Electrical values

Rated voltage	250 V
Rated impulse voltage	1500 V
Pollution degree	1
Overvoltage category	I
Material group	III
Rated current (40°C)	6 A
Volume resistivity	≤ 3 mΩ
Degree of protection	IP 67
Mechanical operation	>500 mating cycles

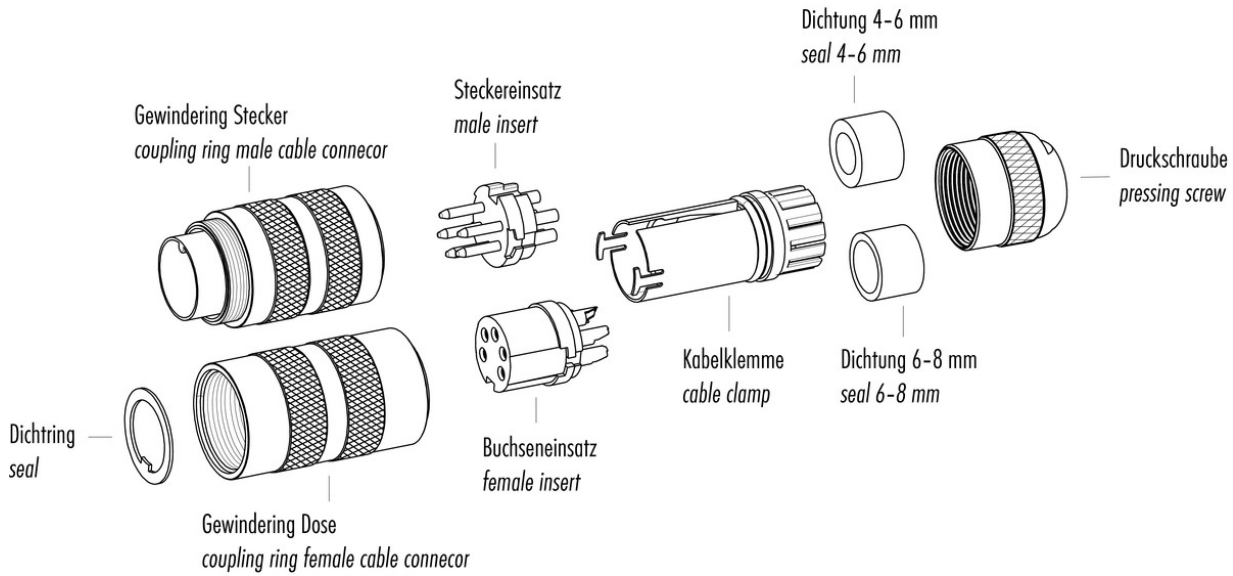
Cable data

Polzahl: 4, Kabelstecker, Kurzversion,
Crimpanschluss, Kabeldurchlass 4 - 8 mm



Product Area	Kabelstecker, Kurzversion, Crimpanschluss, Kabeldurchlass 4-8 mm M16 connectors IP 67 serie 423	Pole	4
		Article number	99 5109 740 04

Item description



Installation instructions / Mounting cutout

