

Product Area Male cable connector, shieldable
Push-Pull connectors IP 67

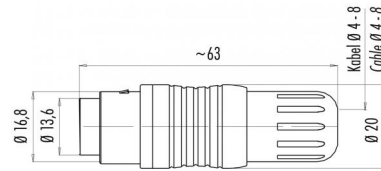
serie 440

Pole 19
Article number 99 4841 00 19

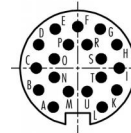
illustration



scale drawing



Contact Arrangement



| | X | Y |
|---|-------|-------|
| A | -2,50 | -4,00 |
| B | -4,00 | -2,25 |
| C | -4,25 | 0,00 |
| D | -4,00 | 2,40 |
| E | -2,30 | 4,00 |
| F | 0,00 | 4,25 |
| G | 2,30 | 4,00 |
| H | 4,00 | 2,40 |
| I | 4,25 | 0,00 |
| K | 4,00 | -2,25 |
| L | 2,50 | -4,00 |
| M | -0,95 | -2,40 |
| N | -2,40 | -0,95 |
| O | -2,40 | 0,95 |
| P | -0,95 | 2,40 |
| R | 0,95 | 2,40 |
| S | 2,40 | 0,95 |
| T | 2,40 | -0,95 |
| U | 0,95 | -2,40 |

You can find the item description and assembly instruction on the next page.

Technical data

Common values

| | |
|--------------------------|----------------------|
| Connector Design | Male cable connector |
| Connector locking system | Push-Pull locking |
| Termination | solder |
| Wire gauge (mm) | 0,25 mm ² |
| Wire gauge (AWG) | 24 |
| Cable outlet | 4 - 8 mm |
| Upper temperature | +85 °C |
| Lower temperature | -40 °C |

Material

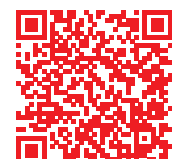
| | |
|--------------------------|----------------------|
| Material of contact | CuZn (brass) |
| Contact plating | Au (gold) |
| Material of contact body | PBT (UL 94 V-0) |
| Material of housing | PA GF 25 (UL 94 V-0) |

Cable data

Contacts 19, male cable connector, shieldable

Electrical values

| | |
|-----------------------|---------------------|
| Rated voltage | 60 V |
| Rated impulse voltage | 500 V |
| Pollution degree | I |
| Overvoltage category | I |
| Material group | III |
| Rated current (40°C) | 3 A |
| Volume resistivity | ≤ 3 mΩ |
| EMV compliance | shielded |
| Degree of protection | IP 67 |
| Mechanical operation | >1000 mating cycles |



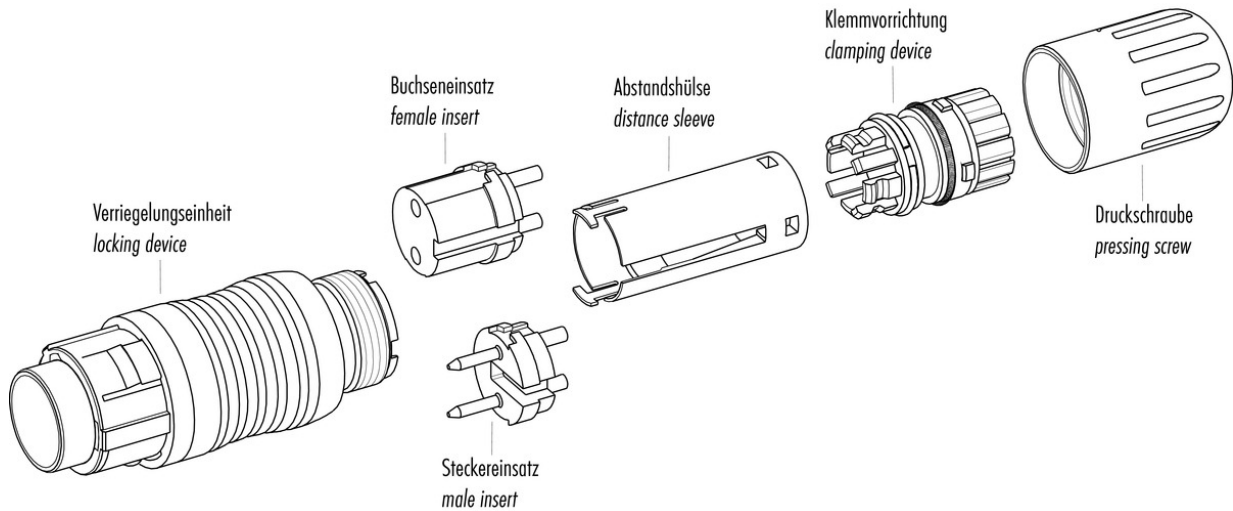
Product Male cable connector, shieldable
Area Push-Pull connectors IP 67

serie 440

Pole 19
Article number 99 4841 00 19

Date: 2014-07-20 - Page 2 of 2

Item description



Installation instructions / Mounting cutout

1. Abmonteln auf L = 33mm.
Ummantlung nicht abstreifen.
2. Druckschraube und Klemmvorrichtung auflödeln. Ummantlung entfernen.
3. Litzen abisolieren und verzinnen.
4. Abschirmung aufwickeln und auskämmen. Die Abschirmlitzen in der Krone rundum einfädeln.
5. Abstandshülse und Klemmvorrichtung verstellen.
6. Gesteckte Einheit nach hinten über Kabel schieben (ca. 10mm).
7. Einsätze anlöten.
8. Gesteckte Einheit nach vorne schieben bis sie in den Kontakteinsatz einrastet.
9. Abschirmlitzen in Richtung Abschirmung abstreifen und kürzen.
zu lang: Litzen auf Dichtung - undicht
zu kurz: kein Kontakt zu Wellenring
10. Montierte Einheit in Trägerhülse stecken und Druckschraube festziehen.

1. Strip to 33mm length but do not take off cable jacket.
2. Bend pressing screw and clamp device. Remove cable jacket.
3. Strip the insulation off the wires and tin them. Thread wires around top.
4. Fan shielding braid and comb out.
5. Lock distance sleeve and clamp device.
6. Push mated units backwards over cable (approx. 10mm).
7. Solder inserts.
8. Push mated units forward until snap-in to contact insert.
9. Strip wires towards shielding ring and shorten.
too long: wires on sealing ring - not tight
too short: no contact to wave washer
10. Push assembled unit into carrier sleeve and tighten pressing screw.

