

Product Area Female receptacle for PCB assembly, straight
M12 connectors D-Coding

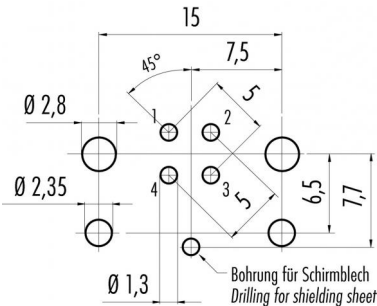
serie 825/876

Pole 4
Article number 99 3732 200 04

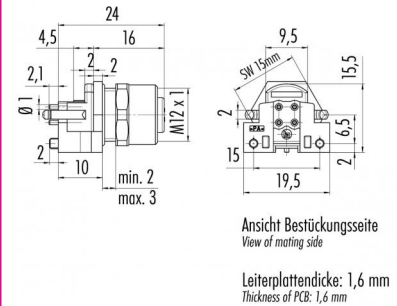
illustration



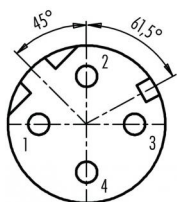
Conductor layout



scale drawing



Contact Arrangement



| | X | Y |
|---|-------|-------|
| 1 | -2,50 | 0,00 |
| 2 | 0,00 | 2,50 |
| 3 | 2,50 | 0,00 |
| 4 | 0,00 | -2,50 |

You can find the assembly instruction on the next page.

Technical data

Common values

| | |
|--------------------------|---------------|
| Connector Design | Female socket |
| Connector locking system | Screw |
| Termination | dip solder |
| Wire gauge (mm) | - |
| Wire gauge (AWG) | - |
| Upper temperature | +85 °C |
| Lower temperature | -40 °C |

Electrical values

| | |
|-----------------------|--------------------|
| Rated voltage | 250 V |
| Rated impulse voltage | 2500 V |
| Pollution degree | 3 |
| Overvoltage category | II |
| Material group | II |
| Volume resistivity | ≤ 3 mΩ |
| EMV compliance | not shielded |
| Degree of protection | IP 67 |
| Mechanical operation | >100 mating cycles |

Material

| | |
|--------------------------|----------------------------|
| Material of contact | CuSn (bronze) |
| Contact plating | Au (gold) |
| Material of contact body | PA |
| Material of housing | CUZn (brass nickel plated) |

Cable data

| | |
|------------------------------|---|
| material housing | - |
| insulation single lead | - |
| single lead structure | - |
| conductor resistance | - |
| bending radius cable fixed | - |
| bending radius cable movable | - |

Contacts: 4, female receptacle for PCB assembly, straight



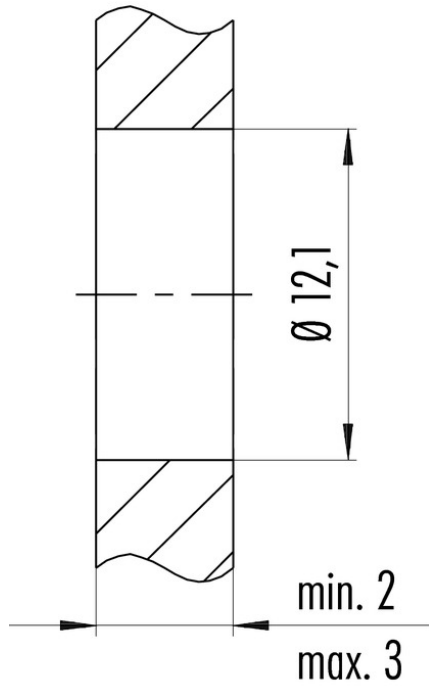
Product Area Female receptacle for PCB assembly, straight
M12 connectors D-Coding

serie 825/876

Pole 4
Article number 99 3732 200 04

Date: 2014-07-20 - Page 2 of 2

Installation instructions / Mounting cutout



Anzugsdrehmoment/Tightening moment
M12 x 1 6,25 Nm