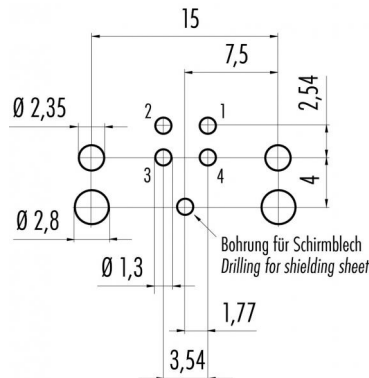


Product Area	Male receptacle for PCB assembly, angled M12 connectors D-Coding	serie 825/876	Pole	4
			Article number	99 3731 203 04

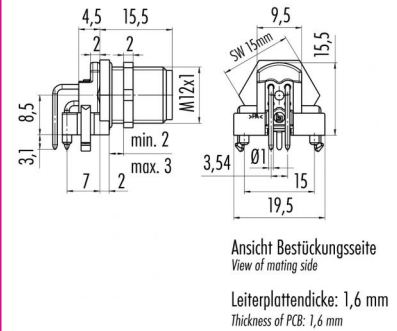
illustration



Conductor layout



scale drawing



You can find the assembly instruction on the next page.

Technical data

Common values

Connector locking system	Screw
Termination	dip solder
Wire gauge (mm)	-
Wire gauge (AWG)	-
Upper temperature	+85 °C
Lower temperature	-40 °C

Electrical values

Rated voltage	250 V
Rated impulse voltage	2500 V
Pollution degree	3
Overvoltage category	II
Material group	II
Volume resistivity	$\leq 8 \text{ m}\Omega$
EMV compliance	not shielded
Degree of protection	IP 67
Mechanical operation	>100 mating cycles

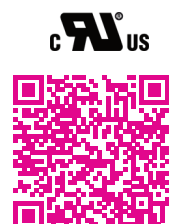
Material

Material of contact	CuSn (bronze), tin-plated
Contact plating	Sn (tin)
Material of contact body	PA
Material of housing	CUZn (brass nickel plated)

Cable data

material housing	-
insulation single lead	-
single lead structure	-
conductor resistance	-
bending radius cable fixed	-
bending radius cable movable	-

Contacts: 4, male receptacle for PCB assembly, angled with shielding sheet



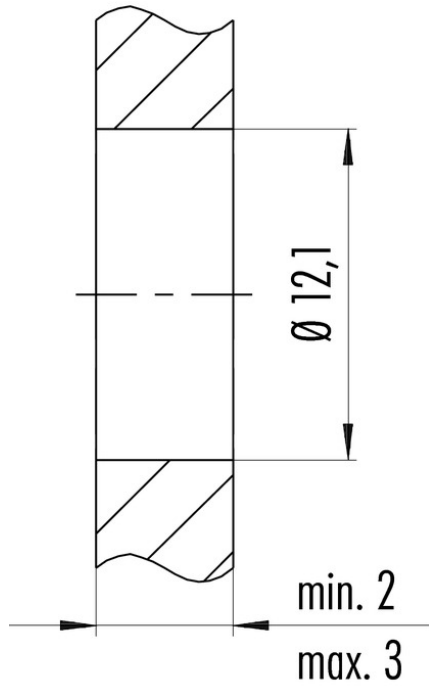
Product Male receptacle for PCB assembly, angled  
Area M12 connectors D-Coding

serie 825/876

Pole 4  
Article number 99 3731 203 04

Date: 2014-07-20 - Page 2 of 2

Installation instructions / Mounting cutout



Anzugsdrehmoment/*Tightening moment*  
M12 x 1 6,25 Nm