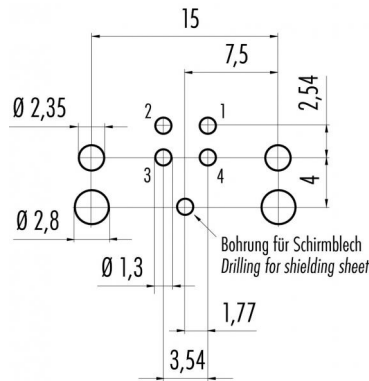


Product Area	Male receptacle for PCB assembly, angled M12 connectors D-Coding	serie 825/876	Pole	4
			Article number	99 3731 202 04

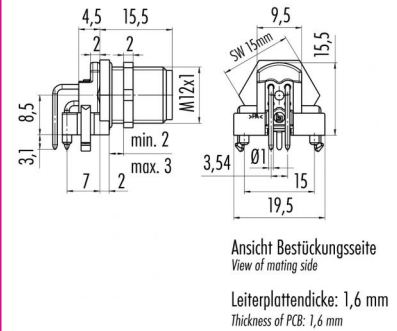
**illustration**



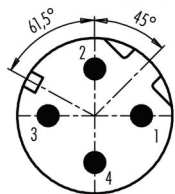
**Conductor layout**



**scale drawing**



**Contact Arrangement**



	X	Y
1	2,50	0,00
2	0,00	2,50
3	-2,50	0,00
4	0,00	-2,50

You can find the assembly instruction on the next page.

**Technical data**

**Common values**

Connector locking system	Screw
Termination	dip solder
Wire gauge (mm)	-
Wire gauge (AWG)	-
Upper temperature	+85 °C
Lower temperature	-40 °C

**Material**

Material of contact	CuZn (brass)
Contact plating	Au (gold)
Material of contact body	PA
Material of housing	CUZn (brass nickel plated)

**Electrical values**

Rated voltage	250 V
Rated impulse voltage	2500 V
Pollution degree	3
Overvoltage category	II
Material group	II
Volume resistivity	≤ 3 mΩ
EMV compliance	not shielded
Degree of protection	IP 67
Mechanical operation	>100 mating cycles

**Cable data**

material housing	-
insulation single lead	-
single lead structure	-
conductor resistance	-
bending radius cable fixed	-
bending radius cable movable	-

Contacts: 4, male receptacle for PCB assembly, angled



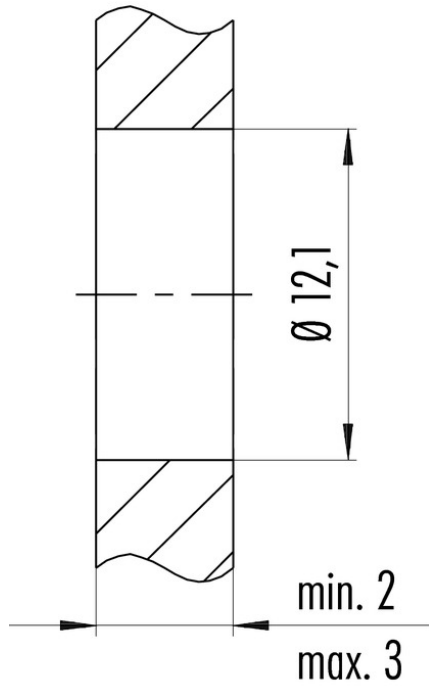
Product Male receptacle for PCB assembly, angled  
Area M12 connectors D-Coding

serie 825/876

Pole 4  
Article number 99 3731 202 04

Date: 2014-07-20 - Page 2 of 2

Installation instructions / Mounting cutout



Anzugsdrehmoment/*Tightening moment*  
M12 x 1 6,25 Nm