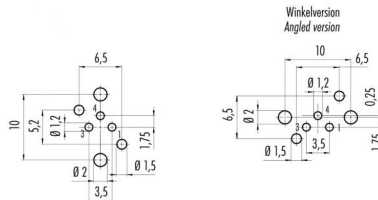


Product Area	Female socket angled M8 connectors	serie 768/718	Pole	3
			Article number	99 3412 282 03

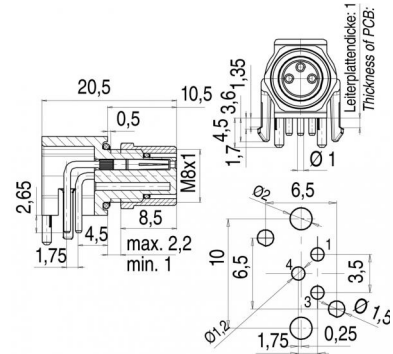
illustration



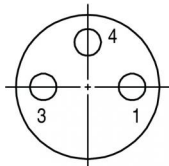
Conductor layout



scale drawing



Contact Arrangement



	X	Y
1	1,75	0,00
2	-	-
3	-1,75	0,00
4	0,00	1,75

You can find the assembly instruction on the next page.

Technical data

Common values

Connector Design	Female socket
Connector locking system	Screw
Termination	dip solder
Wire gauge (AWG)	-
Upper temperature	+85 °C
Lower temperature	-40 °C

Material

Material of contact	CuSn (bronze)
Contact plating	Au (gold)
Material of contact body	PA (UL 94 HB)
Material of housing	CUZn (brass nickel plated)

Electrical values

Rated voltage	60 V
Rated impulse voltage	800 V
Pollution degree	3
Overvoltage category	II
Material group	II
Rated current (40°C)	4 A
Volume resistivity	≤ 3 mΩ
Degree of protection	IP 67
Mechanical operation	>100 mating cycles

Cable data

Female socket angled



Product
Area

Female socket angled
M8 connectors

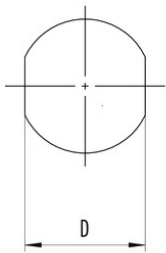
serie 768/718

Pole
Article number

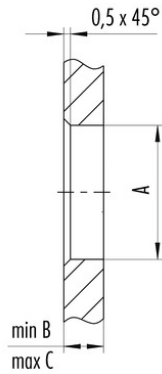
3
99 3412 282 03

Installation instructions / Mounting cutout

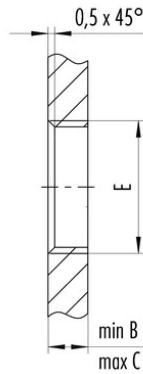
Mit Fläche als Verdrehenschutz
With flats as anti-rotation device



Mit Durchgangsbohrung
With bore hole



Mit Gewinde, einschraubbar
With thread to screw in



Gewinde E/thread E	A	B	C	D
M8 x 0,5	8,1	2,5	4,5	7,1
M10 x 0,75	10,1	2,5	5,0	9,1

Anzugsdrehmoment/Tightening moment 1 Nm