

Product Area Male angled connector, solder
M8 connectors

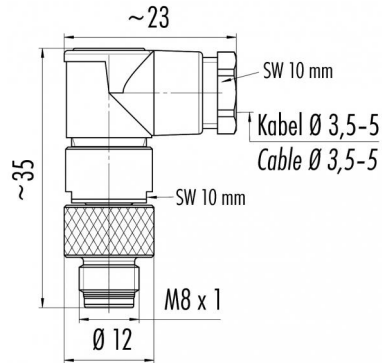
serie 768

Pole 4
Article number 99 3387 00 04

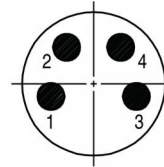
illustration



scale drawing



Contact Arrangement



	X	Y
1	-1,70	-0,50
2	-1,08	1,45
3	1,70	-0,50
4	1,08	1,45

You can find the item description and assembly instruction on the next page.

Technical data

Common values

Connector Design	Male angled cable connector
Connector locking system	Screw
Termination	solder
Wire gauge (mm)	0,25 mm ²
Wire gauge (AWG)	24
Cable outlet	3,5 - 5 mm
Upper temperature	+85 °C
Lower temperature	-40 °C

Material

Material of contact	CuZn (brass)
Contact plating	Au (gold)
Material of contact body	PA (UL 94 HB)
Material of housing	PBT/PA/zinc diecasting

Cable data

Contacts 4: Male angled connector, solder

Electrical values

Rated voltage	30 V
Rated impulse voltage	800 V
Pollution degree	3
Overvoltage category	II
Material group	III
Rated current (40°C)	4 A
Volume resistivity	≤ 3 mΩ
Degree of protection	IP 67
Mechanical operation	>100 mating cycles

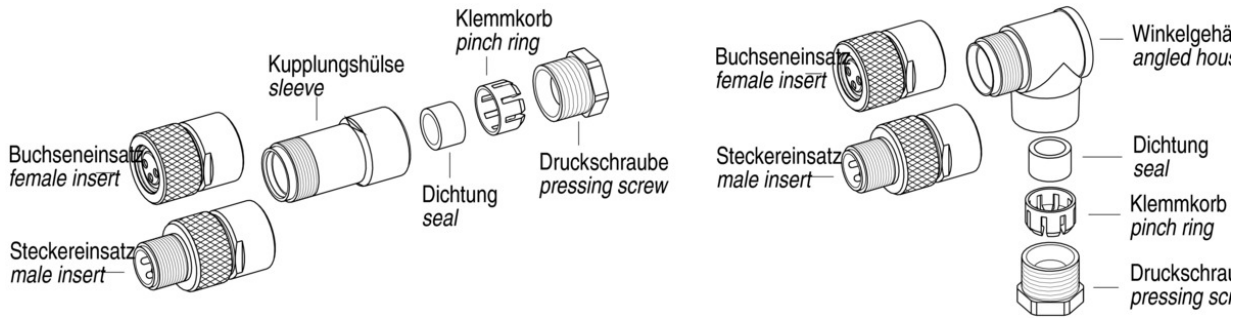


Product Area Male angled connector, solder
M8 connectors

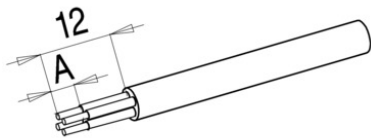
serie 768

Pole 4
Article number 99 3387 00 04

Item description



Installation instructions / Mounting cutout



	Schraubklemmversion screw connection	Lötversion solder version
Maß A/mm measure A/mm	4	3