

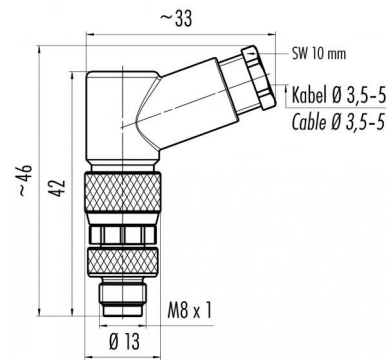
Product Winkelstecker, Schraubklemmanschluss, schirmbar
Area M8 connectors serie 768

Pole 4
Article number 99 3383 110 04

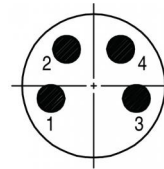
illustration



scale drawing



Contact Arrangement



	X	Y
1	-1,70	-0,50
2	-1,08	1,45
3	1,70	-0,50
4	1,08	1,45

You can find the item description on the next page.

Technical data

Common values

Termination	screw
Cable outlet	3,5 - 5 mm
Upper temperature	+85 °C
Lower temperature	-40 °C

Material

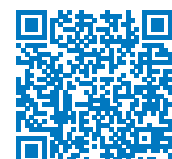
Material of contact body	PA (UL 94 HB)
Material of housing	PBT

Cable data

Polzahl: 4, Winkelstecker,
Schraubklemmanschluss

Electrical values

Rated voltage	30 V
Rated impulse voltage	800 V
Pollution degree	3
Overvoltage category	II
Material group	III
Rated current (40°C)	4 A
Volume resistivity	≤ 3 mΩ
Degree of protection	IP 67
Mechanical operation	>100 mating cycles



Product Winkelstecker, Schraubklemmanschluss, schirmbar
Area M8 connectors serie 768

Pole 4
Article number 99 3383 110 04

Date: 2014-07-20 - Page 2 of 2

Item description

