

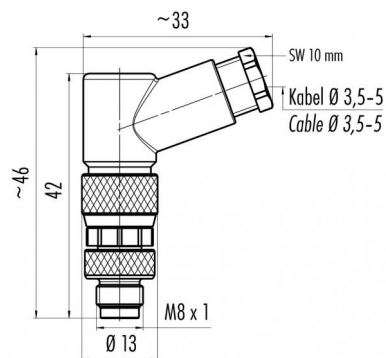
Product Winkelstecker, Schraubklemmanschluss, schirmbar  
Area M8 connectors serie 768

Pole 3  
Article number 99 3379 110 03

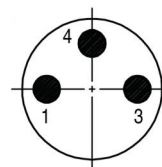
illustration



scale drawing



Contact Arrangement



	X	Y
1	-1,75	0,00
2	-	-
3	1,75	0,00
4	0,00	1,75

You can find the item description on the next page.

Technical data

Common values

Termination	screw
Cable outlet	3,5 - 5 mm
Upper temperature	+85 °C
Lower temperature	-40 °C

Material

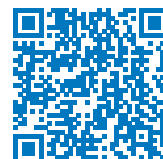
Material of contact body	PA 66 (UL 94 HB)
Material of housing	PBT

Electrical values

Rated voltage	60 V
Rated impulse voltage	800 V
Pollution degree	3
Overvoltage category	II
Material group	III
Rated current (40°C)	4 A
Volume resistivity	≤ 3 mΩ
Degree of protection	IP 67
Mechanical operation	>100 mating cycles

Cable data

Polzahl: 3, Winkelstecker,  
Schraubklemmanschluss



Product Winkelstecker, Schraubklemmanschluss, schirmbar  
Area M8 connectors serie 768

Pole 3  
Article number 99 3379 110 03

Date: 2014-07-20 - Page 2 of 2

Item description

