

Product Area Male angled connector, shieldable, solder M8 connectors

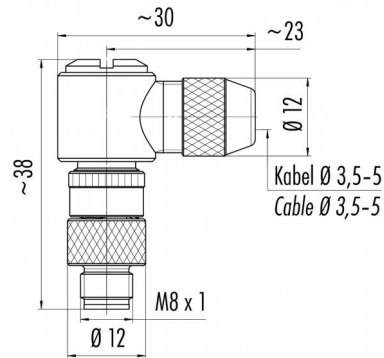
serie 768

Pole 3
Article number 99 3365 00 03

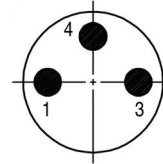
illustration



scale drawing



Contact Arrangement



	X	Y
1	-1,75	0,00
2	-	-
3	1,75	0,00
4	0,00	1,75

You can find the item description and assembly instruction on the next page.

Technical data

Common values

Connector Design	Male cable connector
Connector locking system	Screw
Termination	solder
Wire gauge (mm)	0,25 mm ²
Wire gauge (AWG)	24
Cable outlet	3,5 - 5 mm
Upper temperature	+85 °C
Lower temperature	-40 °C

Material

Material of contact	CuZn (brass)
Contact plating	Au (gold)
Material of contact body	PA (UL 94 HB)
Material of housing	PBT/PA/zinc diecasting

Cable data

Contacts 3: Male angled connector, shieldable, solder

Electrical values

Rated voltage	60 V
Rated impulse voltage	800 V
Pollution degree	3
Overvoltage category	II
Material group	III
Rated current (40°C)	4 A
Volume resistivity	≤ 3 mΩ
Degree of protection	IP 67
Mechanical operation	>100 mating cycles

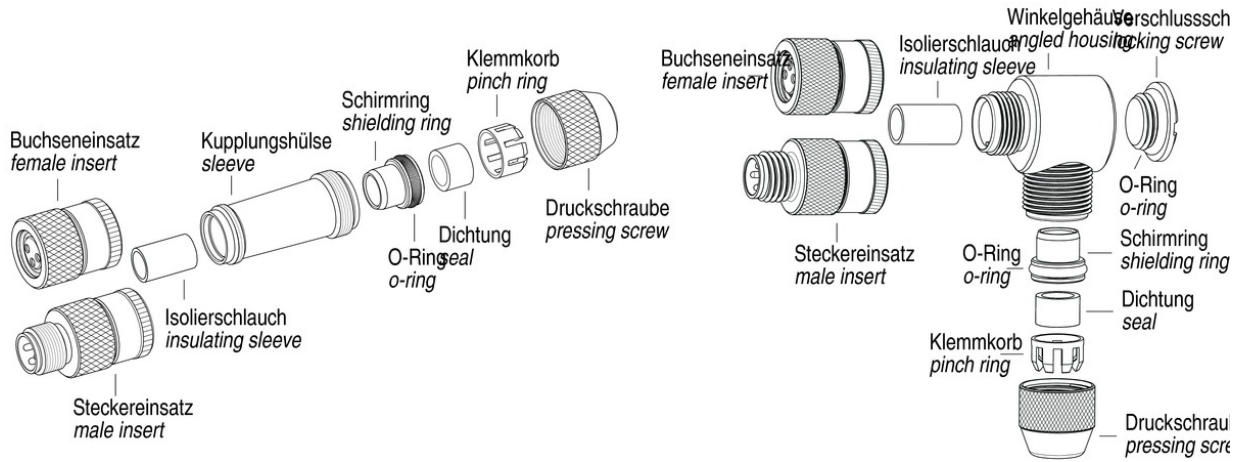


Product Area Male angled connector, shieldable, solder M8 connectors

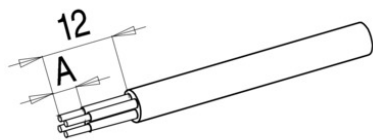
serie 768

Pole 3
Article number 99 3365 00 03

Item description



Installation instructions / Mounting cutout



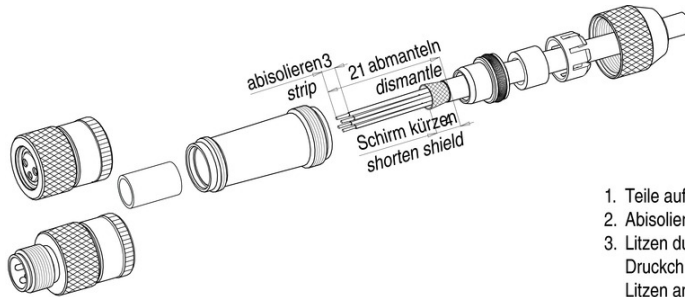
	Schraubklemmversion screw connection	Lötversion solder version
Maß A/mm measure A/mm	4	3

Product Male angled connector, shieldable, solder
Area M8 connectors

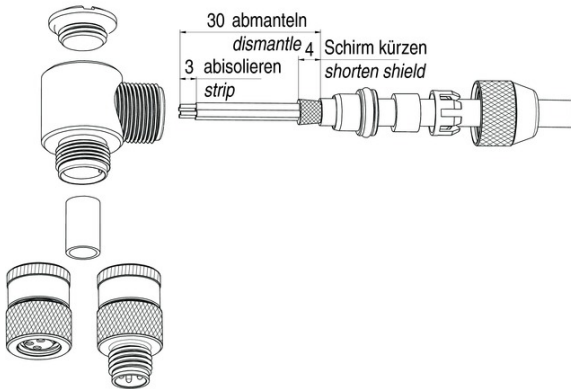
serie 768

Pole 3
Article number 99 3365 00 03

Installation instructions / Mounting cutout



1. Teile auffädeln.
2. Abisolieren, Schirm kürzen, aufweiten und um Schirmring legen.
3. Litzen durch Gehäuse fädeln, Schirmring, Dichtring, Klemmkorb Druckchraube andrehen, um das Kabel zu fixieren. Isolierschlauch Litzen anlöten und Isolierschlauch montieren.
4. Gehäuse mit Stecker- bzw. Buchseneinsatz verschrauben und D festdrehen.
5. Bei Winkelversion Verschlusschraube anziehen.



1. Bead parts on cable.
2. Strip, shorten, widen shield and lay around shielding ring.
3. Bead single wires through housing, mount shieldingring, sealing pinch ring. Slightly tighten pressing screw to fix the cable. Bead i tube, solder single wires and mount insulting tube.
4. Screw male or female contact carrier to housing and tighten pres
5. Angled version: tighten locking screw.