

Product Male angled connector with UL approval
Area 7/8" connectors

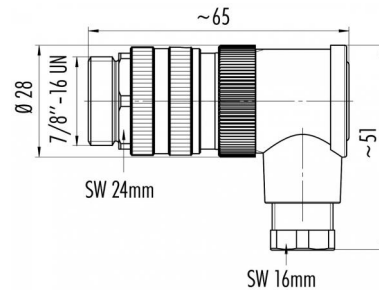
serie 820

Pole 4+PE
Article number 99 2445 52 05

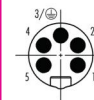
illustration



scale drawing



Contact Arrangement



	X	Y
1	3,94	-2,28
2	3,94	2,28
3/PE	-	4,54
4	-3,94	2,28
5	-3,94	-2,28

- 1 schwarz/black
- 2 blau/blue
- 3 grün/gelb/green/yellow
- 4 braun/brown
- 5 weiß/white

You can find the item description and assembly instruction on the next page.

Technical data

Common values

Connector Design	Male angled cable connector
Connector locking system	screw 7/8" - 16 UN
Termination	screw
Wire gauge (mm)	1,50 mm ²
Wire gauge (AWG)	16
Cable outlet	6 - 8 mm
Upper temperature	+85 °C
Lower temperature	-25 °C

Electrical values

Rated voltage	300 V
Rated impulse voltage	4000 V
Pollution degree	3
Overvoltage category	III
Material group	III
Rated current (40°C)	9 A
Volume resistivity	≤ 3 mΩ
EMV compliance	not shielded
Degree of protection	IP 67
Mechanical operation	> 50 mating cycles

Material

Material of contact	CuZn (brass)
Contact plating	Au (gold)
Material of contact body	PUR, PA (UL 94 HB)
Material of housing	PBT (UL 94 V 0)

Cable data

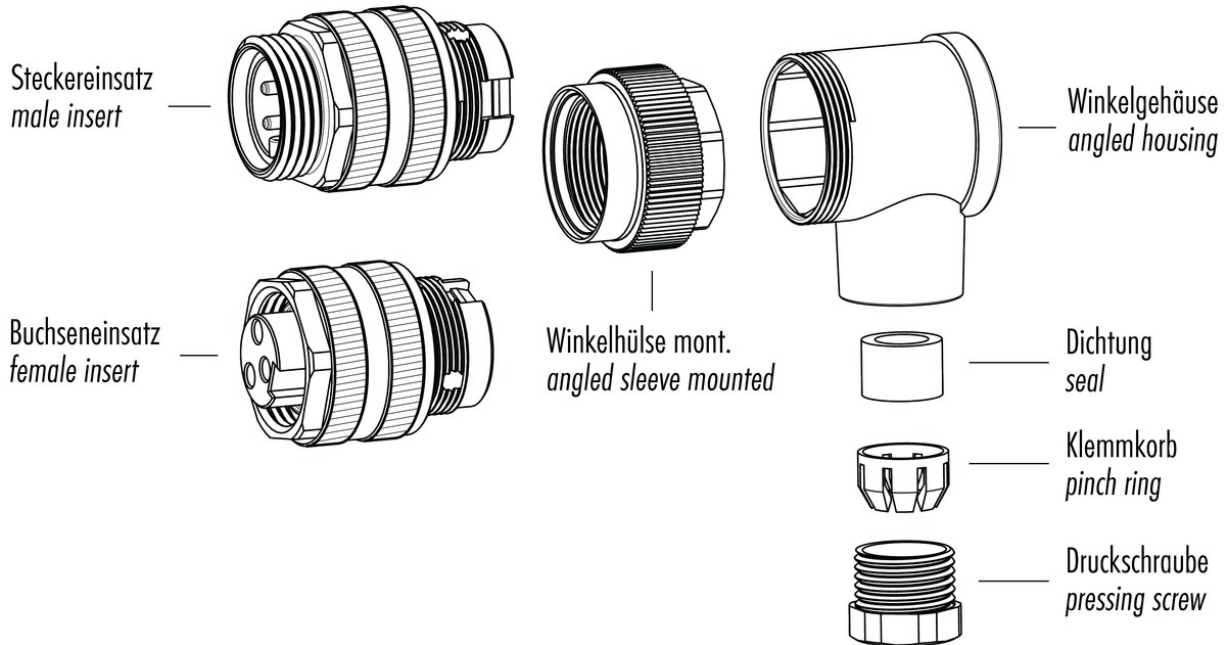
material housing	-
insulation single lead	-
single lead structure	-
conductor resistance	-
bending radius cable fixed	-
bending radius cable movable	-

Cable outlet: 6 - 8 mm, contacts: 4+PE, male angled connector with UL approval



Product Area	Male angled connector with UL approval 7/8" connectors	serie 820	Pole Article number	4+PE 99 2445 52 05
--------------	---	-----------	---------------------	-----------------------

Item description



Installation instructions / Mounting cutout

