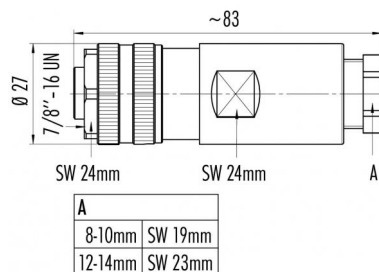


Product Area	Female cable connector with UL approval, Cable outlet 8 - 10 mm, 12 - 14 mm, 7/8" connectors serie 820	Pole Article number	4+PE 99 2444 23 05
--------------	--	---------------------	--------------------

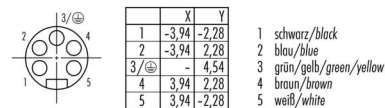
illustration



scale drawing



Contact Arrangement



- 1 schwarz/black
- 2 blau/blue
- 3 grün/gelb/green/yellow
- 4 braun/brown
- 5 weiß/white

You can find the item description and assembly instruction on the next page.

Technical data

Common values

Connector Design	Female cable connector
Connector locking system	screw 7/8" - 16 UN
Termination	screw
Cable outlet	8 - 10 mm
Upper temperature	+85 °C
Lower temperature	-25 °C

Material

Material of contact	CuZn (brass)
Contact plating	Au (gold)
Material of contact body	PUR, PA (UL 94 HB)
Material of housing	PBT (UL 94 V 0)

Electrical values

Rated voltage	300 V
Rated impulse voltage	4000 V
Pollution degree	3
Overvoltage category	III
Material group	III
Rated current (40°C)	9 A
Volume resistivity	≤ 3 mΩ
EMV compliance	not shielded
Degree of protection	IP 67
Mechanical operation	> 50 mating cycles

Cable data

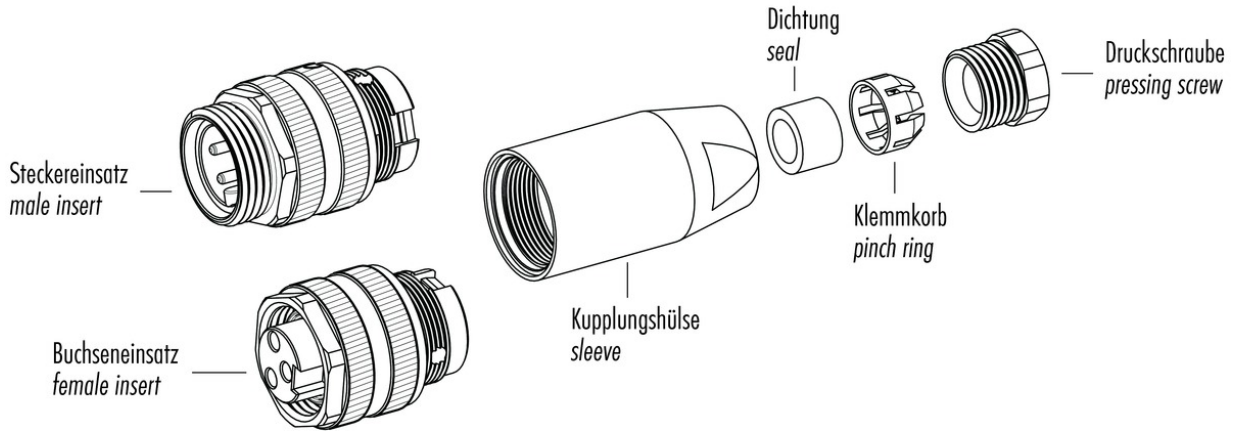
material housing	-
insulation single lead	-
single lead structure	-
conductor resistance	-
bending radius cable fixed	-
bending radius cable movable	-

cable gland: 8 - 10 mm, conductor size: 2.5 mm², number of pins: 04+PE, female cable connector with UL approval



Product Area	Female cable connector with UL approval, Cable outlet 8 - 10 mm, 12 - 14 mm, 7/8" connectors serie 820	Pole Article number	4+PE 99 2444 23 05
--------------	--	---------------------	--------------------

Item description



Installation instructions / Mounting cutout

