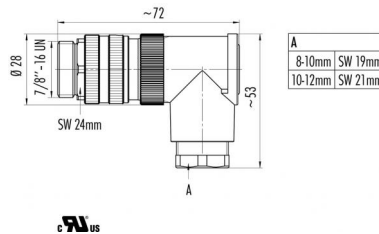


| | | | |
|---------|--|-----------|------------------------------|
| Product | Male angled connector with UL approval, with die-cast threaded ring, cable gland 8 - 10 mm, 10 - 12 mm | Pole | 3+PE |
| Area | 7/8" connectors | serie 820 | Article number 99 2443 72 04 |

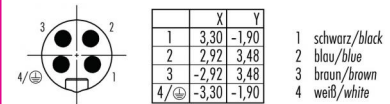
illustration



scale drawing



Contact Arrangement



You can find the item description and assembly instruction on the next page.

Technical data

Common values

| | |
|-------------------|-----------------------------|
| Connector Design | Male angled cable connector |
| Termination | screw |
| Wire gauge (mm) | 1,50 mm ² |
| Wire gauge (AWG) | 16 |
| Cable outlet | 10 - 12 mm |
| Upper temperature | +85 °C |
| Lower temperature | -25 °C |

Material

| | |
|--------------------------|--------------------|
| Material of contact | CuZn (brass) |
| Contact plating | Au (gold) |
| Material of contact body | PUR, PA (UL 94 HB) |
| Material of housing | PBT (UL 94 V 0) |

Electrical values

| | |
|-----------------------|--------------------|
| Rated voltage | 300 V |
| Rated impulse voltage | 4000 V |
| Pollution degree | 3 |
| Overvoltage category | III |
| Material group | III |
| Rated current (40°C) | 9 A |
| Volume resistivity | ≤ 3 mΩ |
| Degree of protection | IP 67 |
| Mechanical operation | > 50 mating cycles |

Cable data

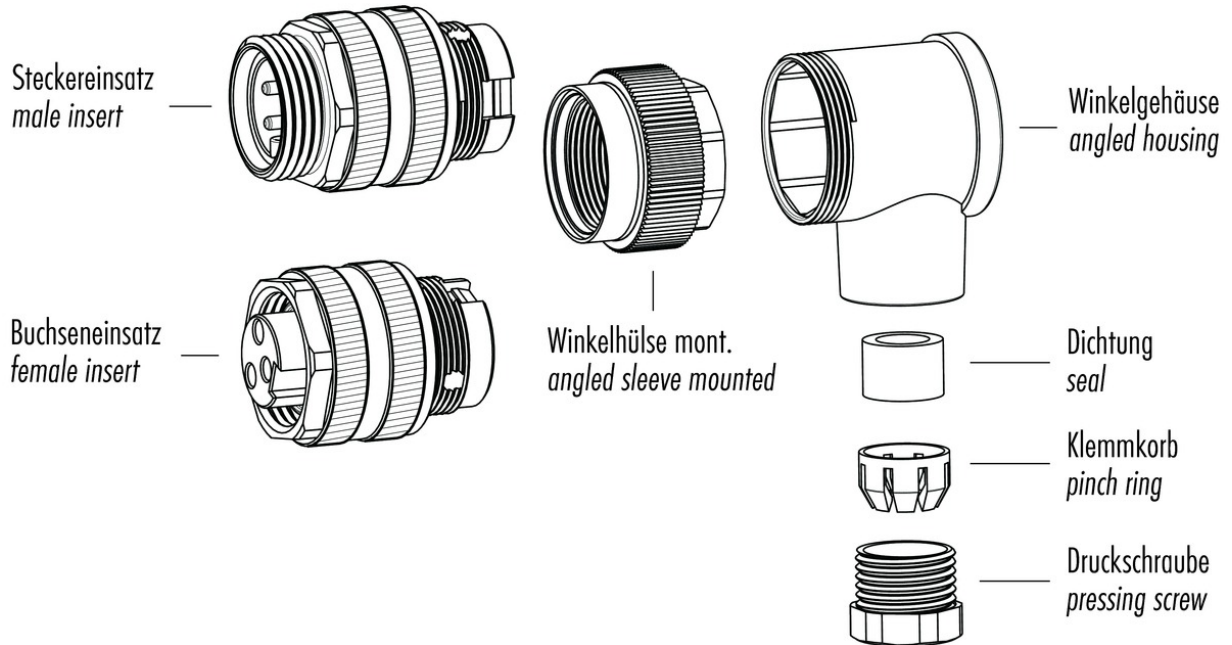
| | |
|------------------------------|---|
| material housing | - |
| insulation single lead | - |
| single lead structure | - |
| conductor resistance | - |
| bending radius cable fixed | - |
| bending radius cable movable | - |

cable gland: 10 - 12 mm, number of pins:
3+PE, male angled connector with UL
approval, conductor size 1.5 mm²



| | | | |
|---------|--|-----------|------------------------------|
| Product | Male angled connector with UL approval, with die-cast threaded ring, cable gland 8 - 10 mm, 10 - 12 mm | Pole | 3+PE |
| Area | 7/8" connectors | serie 820 | Article number 99 2443 72 04 |

Item description



Installation instructions / Mounting cutout

