

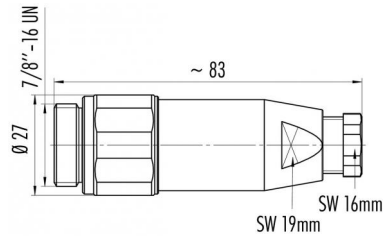
Product Male cable connector, stainless steel locking ring, with UL approval
Area 7/8" connectors serie 820

Pole 3+PE
Article number 99 2443 282 04

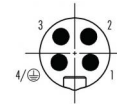
illustration



scale drawing



Contact Arrangement



	X	Y
1	3,30	-1,90
2	2,92	3,48
3	-2,92	3,48
4/⊕	-3,30	-1,90

- 1 schwarz/black
- 2 blau/blue
- 3 braun/brown
- 4 weiß/white



You can find the item description and assembly instruction on the next page.

Technical data

Common values

Connector Design	Male cable connector
Connector locking system	screw 7/8" - 16 UN
Termination	screw
Wire gauge (mm)	1,50 mm ²
Wire gauge (AWG)	16
Cable outlet	6 - 8 mm
Upper temperature	+85 °C
Lower temperature	-25 °C

Electrical values

Rated voltage	300 V
Rated impulse voltage	4000 V
Pollution degree	3
Overvoltage category	III
Material group	III
Rated current (40°C)	9 A
Volume resistivity	≤ 3 mΩ
EMV compliance	not shielded
Degree of protection	IP 67
Mechanical operation	> 50 mating cycles

Material

Material of contact	CuZn (brass)
Contact plating	Au (gold)
Material of contact body	PUR, PA (UL 94 HB)
Material of housing	PBT (UL 94 V 0)

Cable data

material housing	-
insulation single lead	-
single lead structure	-
conductor resistance	-
bending radius cable fixed	-
bending radius cable movable	-

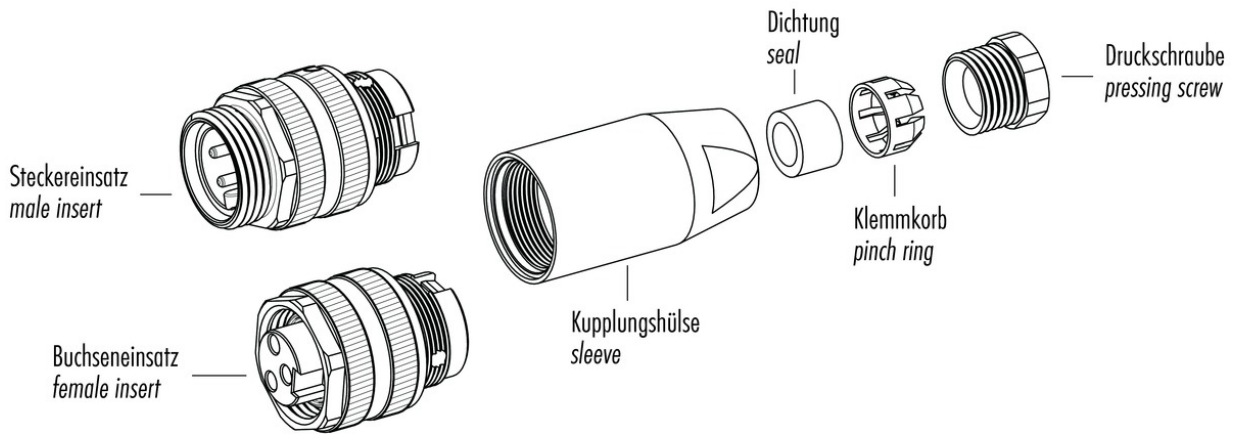
Cable outlet: 6 - 8 mm, contacts: 3+PE, male cable connector, stainless steel locking ring, with UL approval



Product Area Male cable connector, stainless steel locking ring, with UL approval 7/8" connectors serie 820

Pole Article number 3+PE 99 2443 282 04

Item description



Installation instructions / Mounting cutout

