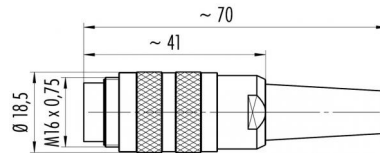


Product Area	Male cable connector with cable clamp, crimp connection, shieldable, cable outlet 4 - 6 mm M16 connectors IP 40	Pole	7
	serie 581	Article number	99 2025 700 07

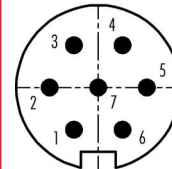
illustration



scale drawing

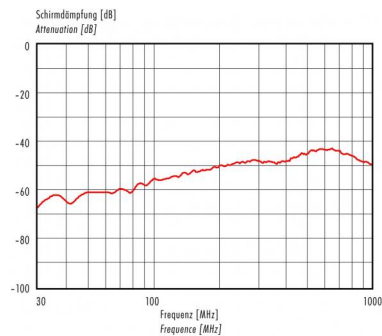


Contact Arrangement



	X	Y
1	-1,75	-3,03
2	-3,50	0,00
3	-1,75	3,03
4	1,75	3,03
5	3,50	0,00
6	1,75	-3,03
7	0,00	0,00

Attenuation characteristic



You can find the item description and assembly instruction on the next page.

Technical data

Common values

Connector Design	Male cable connector
Termination	crimp
Wire gauge (AWG)	-
Cable outlet	4 - 6 mm
Upper temperature	+85 °C
Lower temperature	-40 °C

Material

Material of contact	CuZn (brass)
Contact plating	Ag (silver)
Material of contact body	PBT (UL 94 V-0)
Material of housing	CUZn (brass nickel plated)

Cable data

Polzahl: 7, Kabelstecker mit Kabelklemme, Crimpanschluss, schirmbar, Kabeldurchlass 4 - 6 mm, versilberte Kontakte

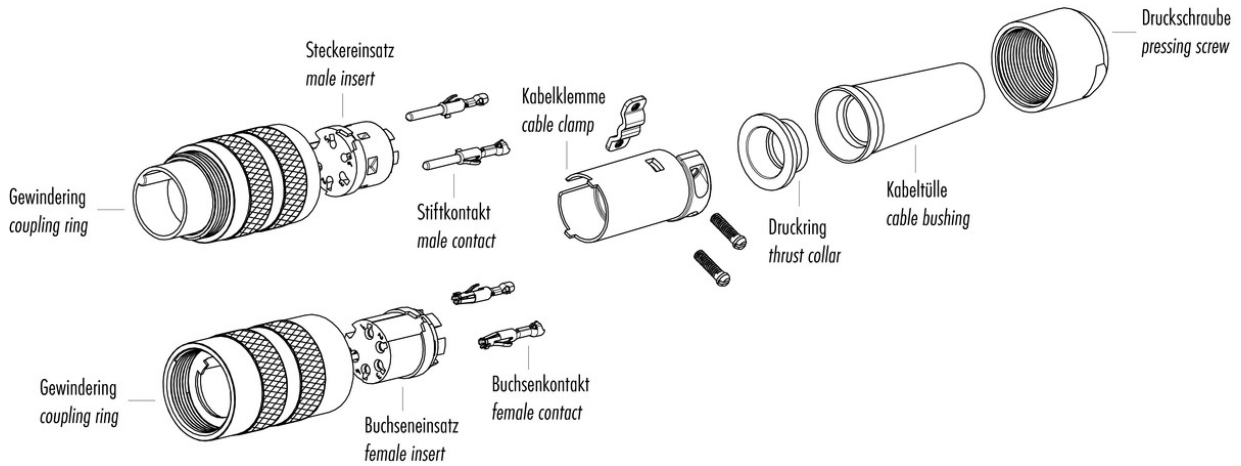
Electrical values

Rated voltage	125 V
Rated impulse voltage	800 V
Pollution degree	1
Overvoltage category	I
Material group	III
Rated current (40°C)	5 A
Volume resistivity	≤ 5 mΩ
Degree of protection	IP 40
Mechanical operation	>500 mating cycles

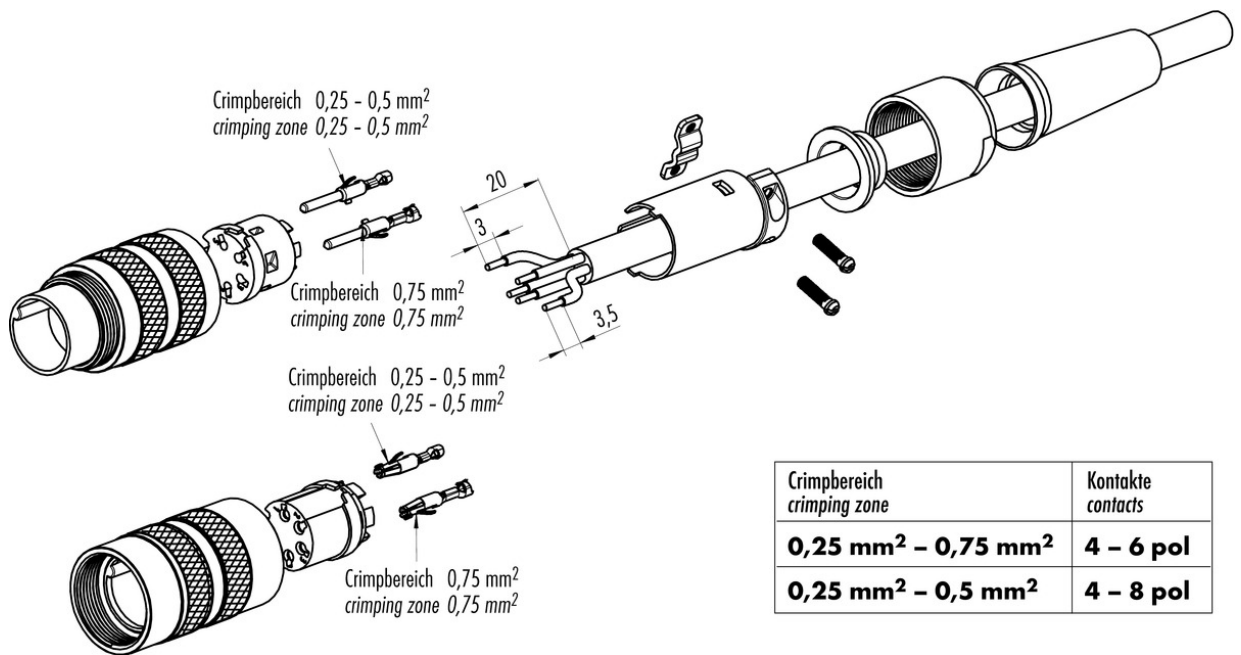


Product Area	Male cable connector with cable clamp, crimp connection, shieldable, cable outlet 4 - 6 mm M16 connectors IP 40 serie 581	Pole Article number	7 99 2025 700 07
--------------	--	---------------------	---------------------

Item description



Installation instructions / Mounting cutout



Crimpbereich crimping zone	Kontakte contacts
<b>0,25 mm<sup>2</sup> - 0,75 mm<sup>2</sup></b>	<b>4 - 6 pol</b>
<b>0,25 mm<sup>2</sup> - 0,5 mm<sup>2</sup></b>	<b>4 - 8 pol</b>