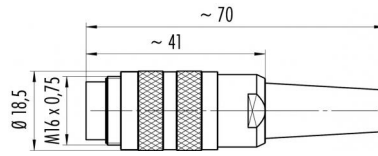


Product Area	Male cable connector with cable clamp, crimp connection, shieldable, cable outlet 6 - 8 mm M16 connectors IP 40	Pole Article number	6 DIN 99 2021 702 06
--------------	--	---------------------	-------------------------

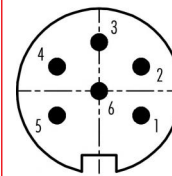
illustration



scale drawing



Contact Arrangement



	X	Y
1	3,03	-1,75
2	3,03	1,75
3	0,00	3,50
4	-3,03	1,75
5	-3,03	-1,75
6	0,00	0,00

Attenuation characteristic



You can find the item description and assembly instruction on the next page.

Technical data

Common values

Connector Design	Male cable connector
Termination	crimp
Wire gauge (AWG)	-
Cable outlet	6 - 8 mm
Upper temperature	+85 °C
Lower temperature	-40 °C

Material

Material of contact	CuZn (brass)
Contact plating	Ag (silver)
Material of contact body	PBT (UL 94 V-0)
Material of housing	CUZn (brass nickel plated)

Electrical values

Rated voltage	250 V
Rated impulse voltage	1500 V
Pollution degree	1
Overvoltage category	I
Material group	III
Rated current (40°C)	5 A
Volume resistivity	≤ 5 mΩ
Degree of protection	IP 40
Mechanical operation	>500 mating cycles

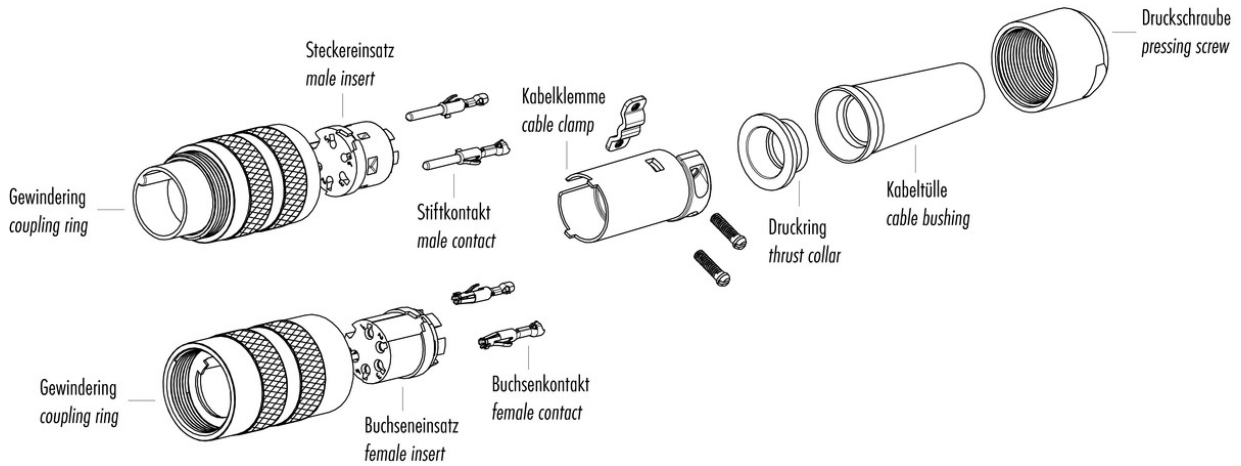
Cable data

Polzahl: 6 DIN, Kabelstecker mit Kabelklemme, Crimpanschluss, schirmbar, Kabeldurchlass 6 - 8 mm

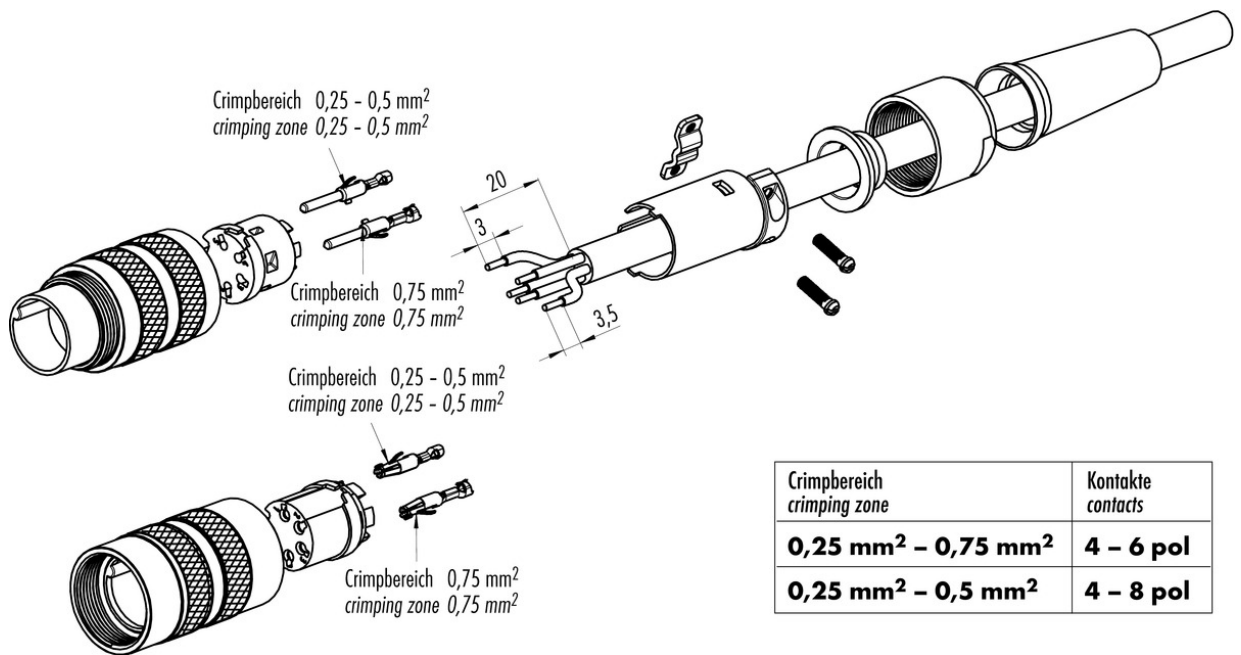


Product Area	Male cable connector with cable clamp, crimp connection, shieldable, cable outlet 6 - 8 mm M16 connectors IP 40 serie 581	Pole Article number	6 DIN 99 2021 702 06
--------------	---	---------------------	-------------------------

Item description



Installation instructions / Mounting cutout



Crimpbereich crimping zone	Kontakte contacts
<b>0,25 mm<sup>2</sup> - 0,75 mm<sup>2</sup></b>	<b>4 - 6 pol</b>
<b>0,25 mm<sup>2</sup> - 0,5 mm<sup>2</sup></b>	<b>4 - 8 pol</b>