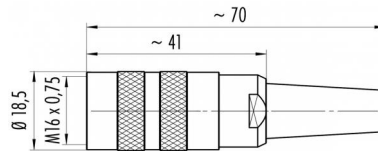


| | | | |
|--------------|--|----------------|---------------------------------|
| Product Area | Female cable connector with cable clamp, crimp connection, shieldable cable outlet 6 - 8 mm M16 connectors IP 40 | Pole serie 581 | 5 Article number 99 2014 702 05 |
|--------------|--|----------------|---------------------------------|

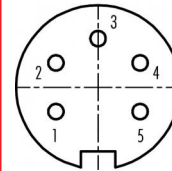
illustration



scale drawing



Contact Arrangement



| | X | Y |
|---|-------|-------|
| 1 | -3,03 | -1,75 |
| 2 | -3,03 | 1,75 |
| 3 | 0,00 | 3,50 |
| 4 | 3,03 | 1,75 |
| 5 | 3,03 | -1,75 |

Attenuation characteristic



You can find the item description and assembly instruction on the next page.

Technical data

Common values

| | |
|-------------------|------------------------|
| Connector Design | Female cable connector |
| Termination | crimp |
| Wire gauge (AWG) | - |
| Cable outlet | 6 - 8 mm |
| Upper temperature | +85 °C |
| Lower temperature | -40 °C |

Material

| | |
|--------------------------|----------------------------|
| Material of contact | CuZn (brass) |
| Contact plating | Ag (silver) |
| Material of contact body | PBT (UL 94 V-0) |
| Material of housing | CUZn (brass nickel plated) |

Electrical values

| | |
|-----------------------|--------------------|
| Rated voltage | 250 V |
| Rated impulse voltage | 1500 V |
| Pollution degree | 1 |
| Overvoltage category | I |
| Material group | III |
| Rated current (40°C) | 6 A |
| Volume resistivity | ≤ 5 mΩ |
| Degree of protection | IP 40 |
| Mechanical operation | >500 mating cycles |

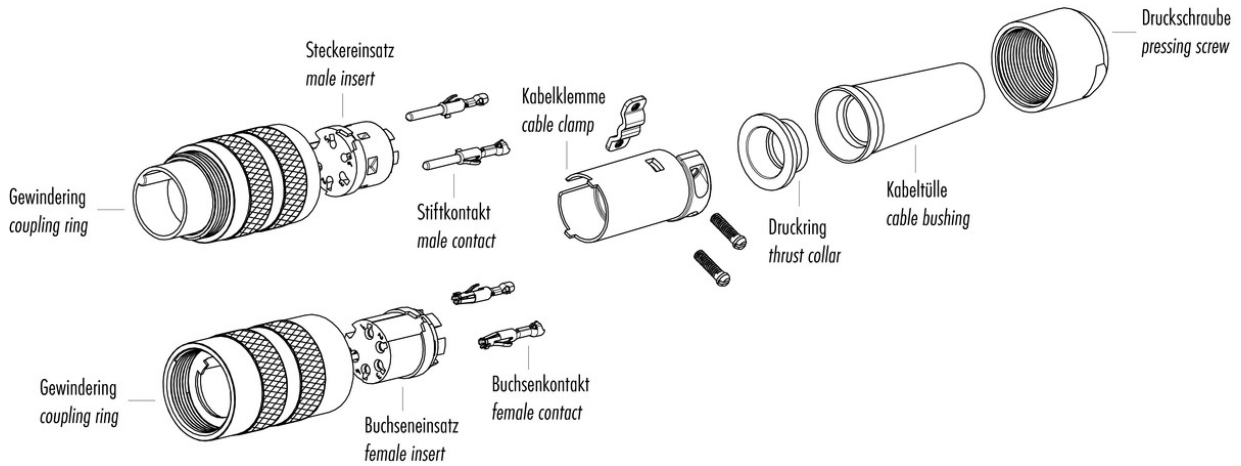
Cable data

Polzahl: 5, Kabeldose mit Kabelklemme, Crimpanschluss, schirmbar, Kabeldurchlass 6 - 8 mm

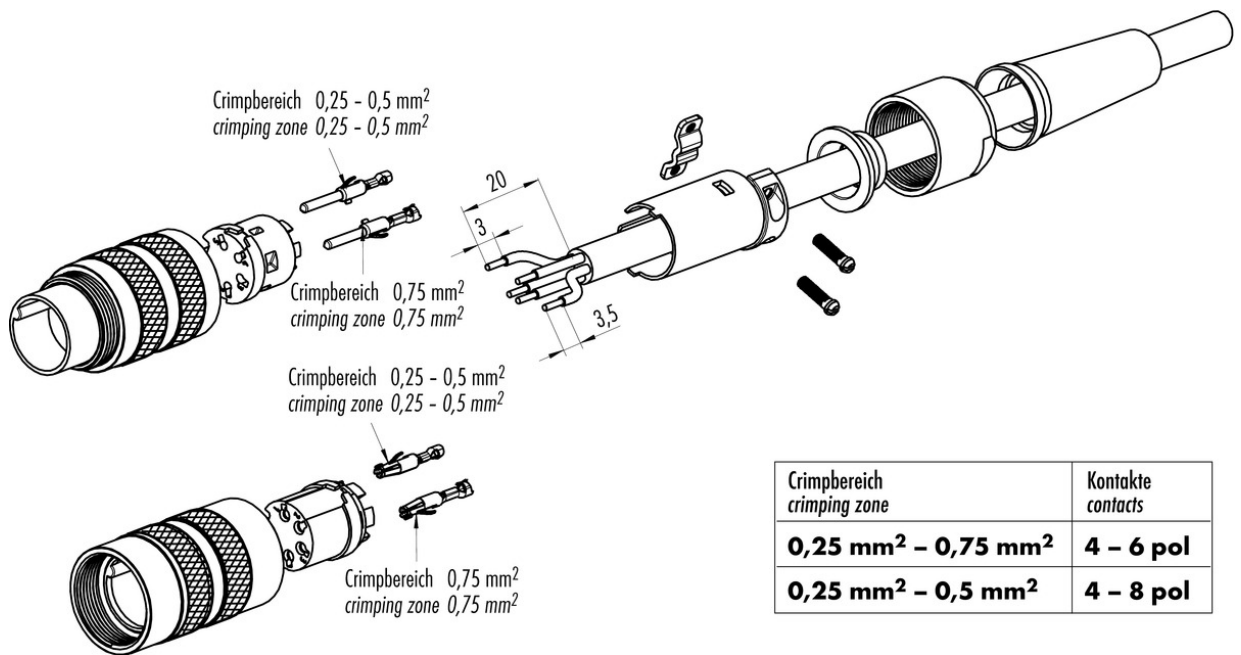


| | | | |
|--------------|--|---------------------|---------------------|
| Product Area | Female cable connector with cable clamp, crimp connection, shieldable cable outlet 6 - 8 mm M16 connectors IP 40 serie 581 | Pole Article number | 5 99 2014 702 05 |
|--------------|--|---------------------|---------------------|

Item description



Installation instructions / Mounting cutout



| Crimpbereich crimping zone | Kontakte contacts |
|--|----------------------|
| 0,25 mm² - 0,75 mm² | 4 - 6 pol |
| 0,25 mm² - 0,5 mm² | 4 - 8 pol |