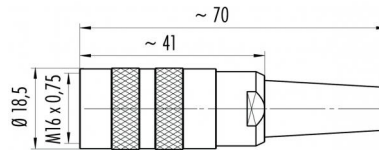


Product Area	Female cable connector with cable clamp, crimp connection, shieldable cable outlet 4 - 6 mm M16 connectors IP 40	Pole	5
	serie 581	Article number	99 2014 700 05

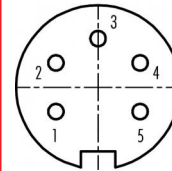
illustration



scale drawing



Contact Arrangement



	X	Y
1	-3,03	-1,75
2	-3,03	1,75
3	0,00	3,50
4	3,03	1,75
5	3,03	-1,75

Attenuation characteristic



You can find the item description and assembly instruction on the next page.

Technical data

Common values

Connector Design	Female cable connector
Termination	crimp
Wire gauge (AWG)	-
Cable outlet	4 - 6 mm
Upper temperature	+85 °C
Lower temperature	-40 °C

Material

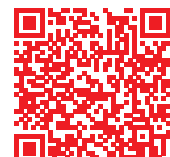
Material of contact	CuZn (brass)
Contact plating	Ag (silver)
Material of contact body	PBT (UL 94 V-0)
Material of housing	CUZn (brass nickel plated)

Electrical values

Rated voltage	250 V
Rated impulse voltage	1500 V
Pollution degree	1
Overvoltage category	I
Material group	III
Rated current (40°C)	6 A
Volume resistivity	≤ 5 mΩ
Degree of protection	IP 40
Mechanical operation	>500 mating cycles

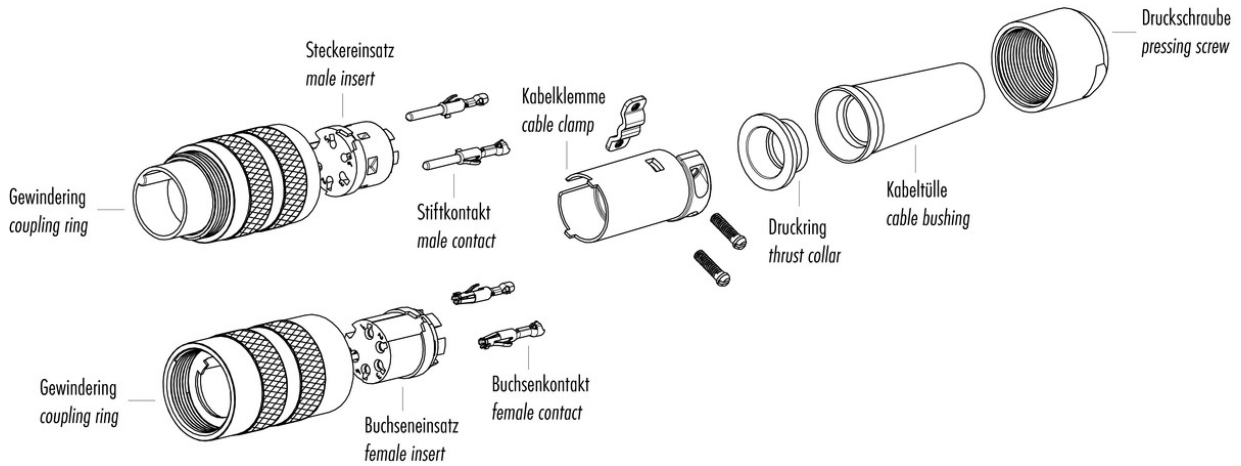
Cable data

Polzahl: 5, Kabeldose mit Kabelklemme, Crimpanschluss, schirmbar, Kabeldurchlass 4 - 6 mm

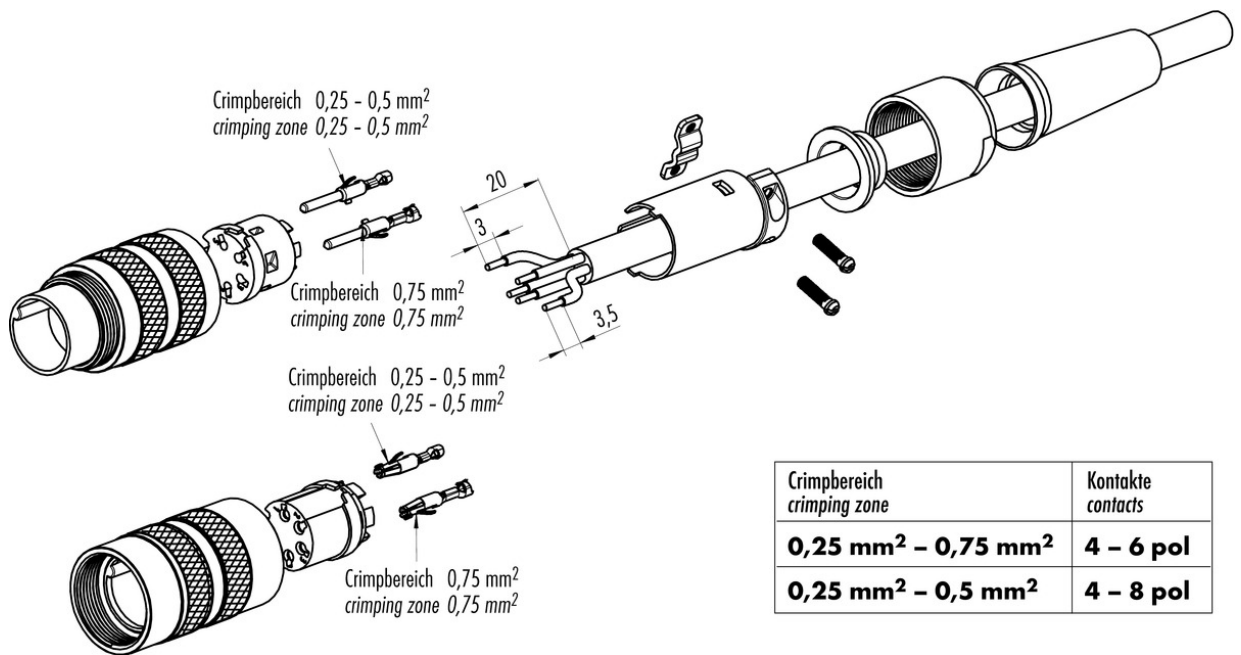


Product Area	Female cable connector with cable clamp, crimp connection, shieldable cable outlet 4-6 mm M16 connectors IP 40 serie 581	Pole Article number	5 99 2014 700 05
--------------	--	---------------------	---------------------

Item description



Installation instructions / Mounting cutout



Crimpbereich crimping zone	Kontakte contacts
0,25 mm² - 0,75 mm²	4 - 6 pol
0,25 mm² - 0,5 mm²	4 - 8 pol