

Product Female angled connector shieldable, with wire clamp connection, version with shielding ring, with Diecasted Zinc Thread Ring
Area M12 connectors A-Coding

Pole 5

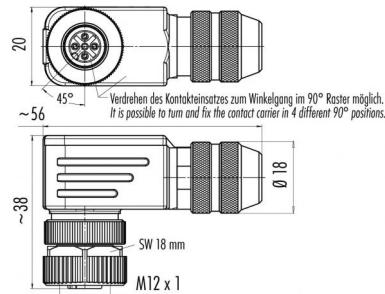
serie 713

Article number 99 1538 822 05

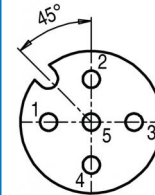
illustration



scale drawing



Contact Arrangement



	X	Y
1	-2,50	0,00
2	0,00	2,50
3	2,50	0,00
4	0,00	-2,50
5	0,00	0,00

You can find the item description on the next page.

Technical data

Common values

Connector Design	Female angled cable connector
Connector locking system	Screw
Termination	wire clamp
Wire gauge (mm)	0,50 mm ²
Wire gauge (AWG)	20
Cable outlet	6 - 8 mm
Upper temperature	+85 °C
Lower temperature	-40 °C

Material

Material of contact	CuSn (bronze)
Contact plating	Au (gold)
Material of contact body	PA
Material of housing	zinc diecasting, nickel plated, PBT

Cable data

Contacts 5: cable outlet: 6-8 mm, Female angled connector shieldable, with wire clamp connection, version with shielding ring, with Diecasted Zinc Thread Ring

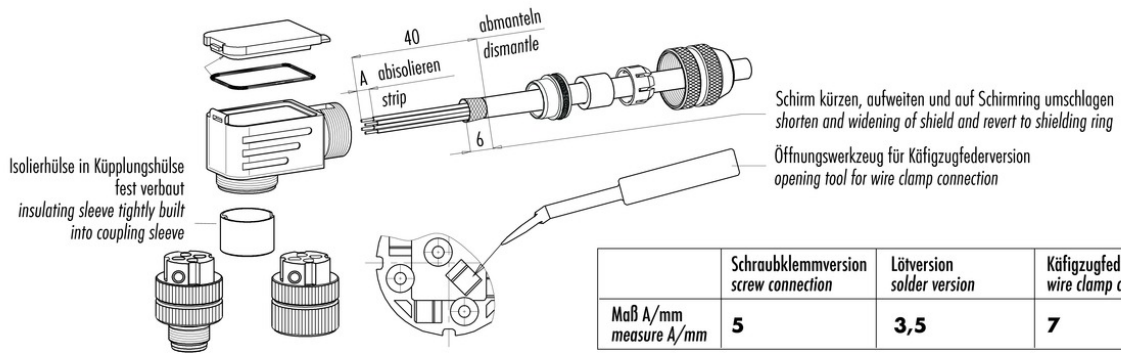
Electrical values

Rated voltage	125 V
Rated impulse voltage	1500 V
Pollution degree	3
Overvoltage category	II
Material group	III
Rated current (40°C)	4 A
Volume resistivity	≤ 3 mΩ
Degree of protection	IP 67
Mechanical operation	>100 mating cycles



Product	Female angled connector shieldable, with wire clamp connection, version with shielding ring, with Diecasted Zinc Thread Ring	Pole	5
Area	M12 connectors A-Coding	serie 713	Article number 99 1538 822 05

Item description



40
A abisolieren strip
abmonteln dismantle
6

Isolierhülse in Kuppelungshülse fest verbaut
insulating sleeve tightly built into coupling sleeve

Schirm kürzen, aufweiten und auf Schirmring umschlagen
shorten and widening of shield and revert to shielding ring

Öffnungswerkzeug für Käfigzugfederverision
opening tool for wire clamp connection

	Schraubklemmversion screw connection	Lötversion solder version	Käfigzugfederverision wire clamp connection
Maß A/mm measure A/mm	5	3,5	7