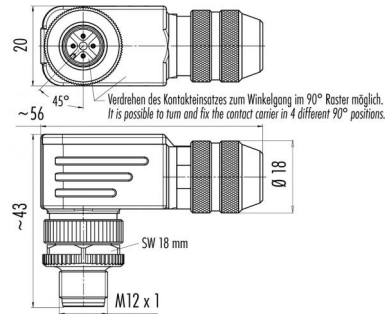


Product	Male angled connector shieldable, with wire clamp connection, version with shielding ring, with Diecasted Zinc Thread Ring,	Pole	5
Area	M12 connectors A-Coding	Article number	99 1537 822 05
		serie 713	

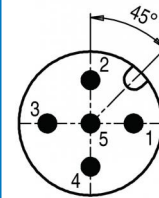
illustration



scale drawing



Contact Arrangement



	X	Y
1	2,50	0,00
2	0,00	2,50
3	-2,50	0,00
4	0,00	-2,50
5	0,00	0,00

You can find the item description on the next page.

Technical data

Common values

Connector Design	Male angled cable connector
Connector locking system	Screw
Termination	wire clamp
Wire gauge (mm)	0,50 mm <sup>2</sup>
Wire gauge (AWG)	20
Cable outlet	6 - 8 mm
Upper temperature	+85 °C
Lower temperature	-40 °C

Material

Material of contact	CuSn (bronze)
Contact plating	Au (gold)
Material of contact body	PA
Material of housing	zinc diecasting, nickel plated, PBT

Cable data

Contacts 5: cable outlet: 6-8 mm, Male angled connector shieldable, with wire clamp connection, version with shielding ring, with Diecasted Zinc Thread Ring,

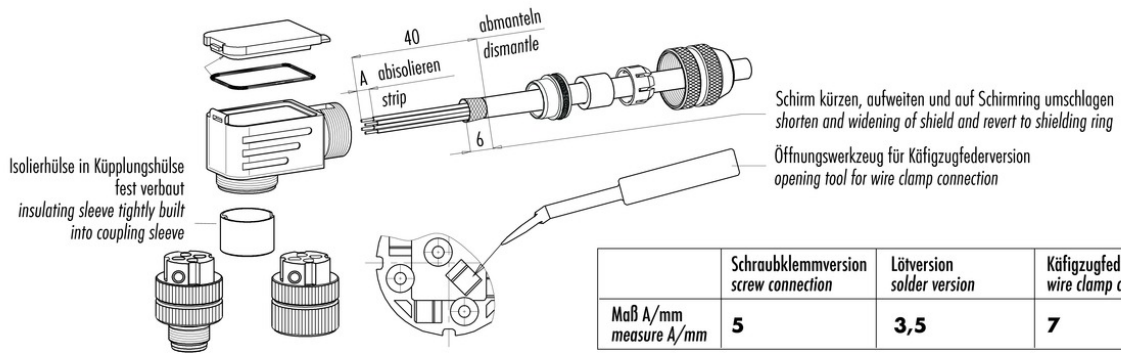
Electrical values

Rated voltage	125 V
Rated impulse voltage	1500 V
Pollution degree	3
Overvoltage category	II
Material group	III
Rated current (40°C)	4 A
Volume resistivity	≤ 3 mΩ
Degree of protection	IP 67
Mechanical operation	>100 mating cycles



Product	Male angled connector shieldable, with wire clamp connection, version with shielding ring, with Diecasted Zinc Thread Ring,	Pole	5
Area	M12 connectors A-Coding	serie 713	Article number 99 1537 822 05

Item description



Isolierhülse in Kuppelungshülse fest verbaut  
insulating sleeve tightly built into coupling sleeve

40 abmonteln dismanteln  
A abisolieren strip  
6

Schirm kürzen, aufweiten und auf Schirmring umschlagen  
shorten and widening of shield and revert to shielding ring

Öffnungswerkzeug für Käfigzugfederverision  
opening tool for wire clamp connection

	Schraubklemmversion screw connection	Lötversion solder version	Käfigzugfederverision wire clamp connection
Maß A/mm measure A/mm	5	3,5	7