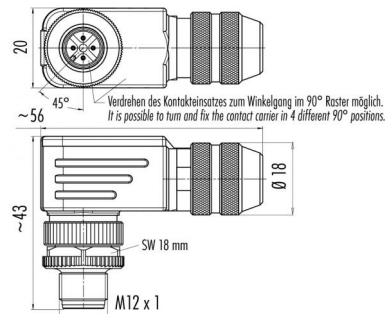


Product Area	Male angled connector, shieldable, wire clamp connector, with Diecasted Zinc Thread Ring M12 connectors B-Coding serie 715	Pole Article number	5 99 1535 920 05
--------------	---	---------------------	---------------------

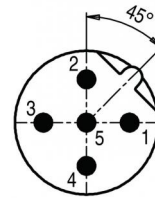
illustration



scale drawing



Contact Arrangement



	X	Y
1	2,50	0,00
2	0,00	2,50
3	-2,50	0,00
4	0,00	-2,50
5	0,00	0,00

Technical data

Common values

Connector Design	Male angled cable connector
Connector locking system	Screw
Wire gauge (mm)	0,50 mm ²
Wire gauge (AWG)	20
Upper temperature	+85 °C
Lower temperature	-40 °C

Material

Material of contact	CuZn (brass)
Contact plating	Au (gold)
Material of contact body	PA
Material of housing	zinc diecasting, nickel plated

Electrical values

Rated voltage	125 V
Rated impulse voltage	1500 V
Pollution degree	3
Overvoltage category	II
Material group	II
Rated current (40°C)	4 A
Volume resistivity	≤ 3 mΩ
Degree of protection	IP 67
Mechanical operation	>100 mating cycles

Cable data

material housing	-
insulation single lead	-
single lead structure	-
conductor resistance	-
bending radius cable fixed	-
bending radius cable movable	-

Cabel outlet: 6,5 - 8,5 mm, contacts: 5, male angled connector, shieldable, with wire clamp connection

