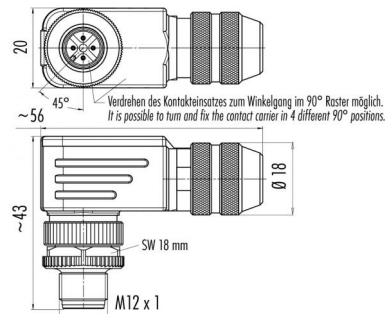


Product	Male angled connector shieldable, with wire clamp connection, version with shielding ring, with Diecasted Zinc Thread Ring,	Pole	4
Area	M12 connectors A-Coding	Article number	99 1525 824 04
serie 713			

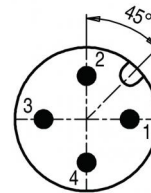
illustration



scale drawing



Contact Arrangement



	X	Y
1	2,50	0,00
2	0,00	2,50
3	-2,50	0,00
4	0,00	-2,50

You can find the item description on the next page.

Technical data

Common values

Connector Design	Male angled cable connector
Connector locking system	Screw
Termination	wire clamp
Wire gauge (mm)	0,50 mm <sup>2</sup>
Wire gauge (AWG)	20
Cable outlet	4 - 6 mm
Upper temperature	+85 °C
Lower temperature	-40 °C

Material

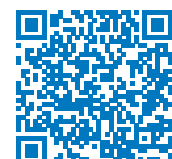
Material of contact	CuSn (bronze)
Contact plating	Au (gold)
Material of contact body	PA
Material of housing	zinc diecasting, nickel plated, PBT

Cable data

Contacts 4: cable outlet: 4-6 mm, Male angled connector shieldable, with wire clamp connection, version with shielding ring, with Diecasted Zinc Thread Ring,

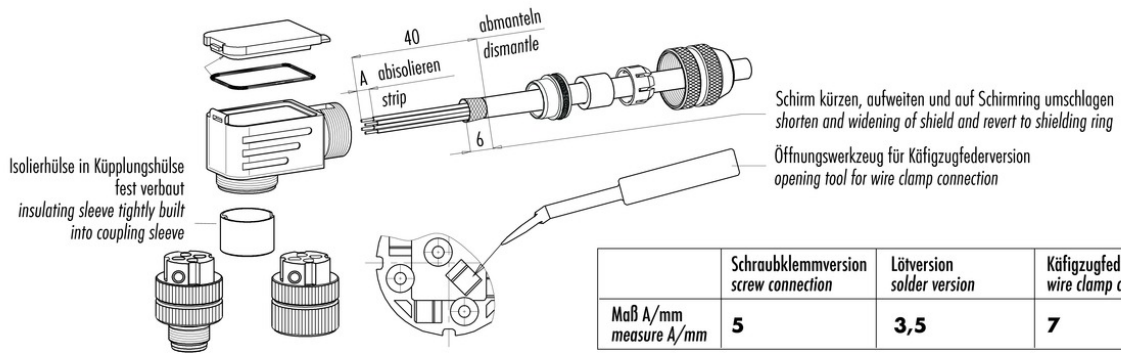
Electrical values

Rated voltage	250 V
Rated impulse voltage	2500 V
Pollution degree	3
Overvoltage category	II
Material group	III
Rated current (40°C)	4 A
Volume resistivity	≤ 3 mΩ
Degree of protection	IP 67
Mechanical operation	>100 mating cycles



Product	Male angled connector shieldable, with wire clamp connection, version with shielding ring, with Diecasted Zinc Thread Ring,	Pole	4
Area	M12 connectors A-Coding	serie 713	Article number 99 1525 824 04

Item description



	Schraubklemmversion screw connection	Lötversion solder version	Käfigzugfederverision wire clamp connection
Maß A/mm measure A/mm	5	3,5	7