

Product Male angled connector, shieldable, version with shielding ring, with Diecasted Zinc Thread
Ring, solder termination
Area M12 connectors A-Coding

Pole 12

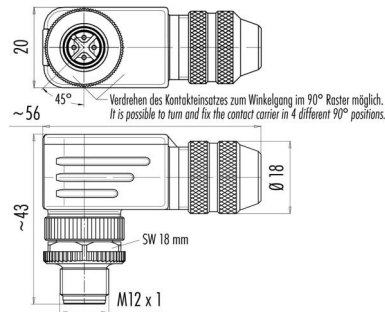
serie 713

Article number 99 1491 822 12

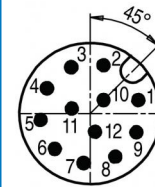
illustration



scale drawing



Contact Arrangement



	X	Y
1	2,80	0,78
2	0,78	2,80
3	-1,09	2,69
4	-2,51	1,46
5	-2,88	-0,37
6	-2,05	-2,05
7	-0,37	-2,88
8	1,46	-2,51
9	2,69	-1,09
10	0,78	0,78
11	-1,06	0,29
12	0,29	-1,06

You can find the item description on the next page.

Technical data

Common values

Connector Design	Male angled cable connector
Connector locking system	Screw
Termination	solder
Wire gauge (mm)	0,25 mm ²
Wire gauge (AWG)	24
Cable outlet	6 - 8 mm
Upper temperature	+85 °C
Lower temperature	-40 °C

Material

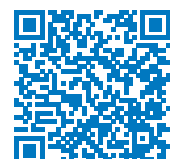
Material of contact	CuZn (brass)
Contact plating	Au (gold)
Material of contact body	PA
Material of housing	zinc diecasting, nickel plated

Cable data

Contacts 12: cable outlet: 6-8 mm, Male angled connector, shieldable, version with shielding ring, with Diecasted Zinc Thread Ring, solder termination

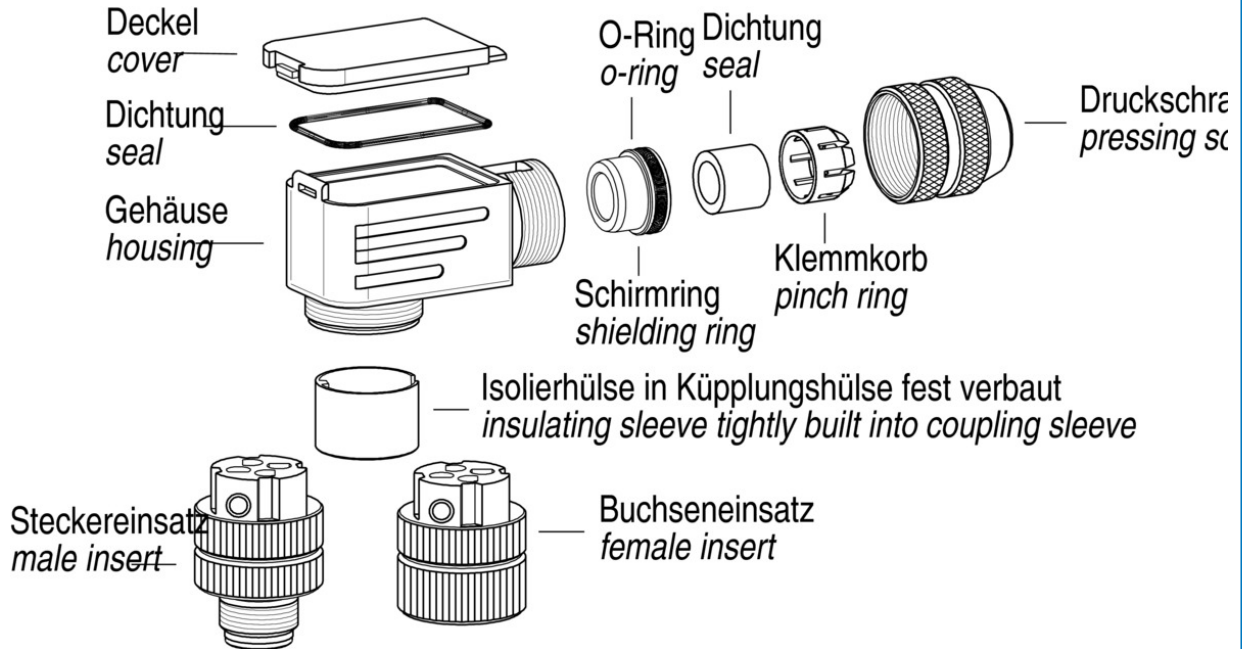
Electrical values

Rated voltage	30 V
Rated impulse voltage	500 V
Pollution degree	3
Overvoltage category	II
Material group	III
Rated current (40°C)	1 A
Volume resistivity	≤ 3 mΩ
Degree of protection	IP 67
Mechanical operation	>100 mating cycles

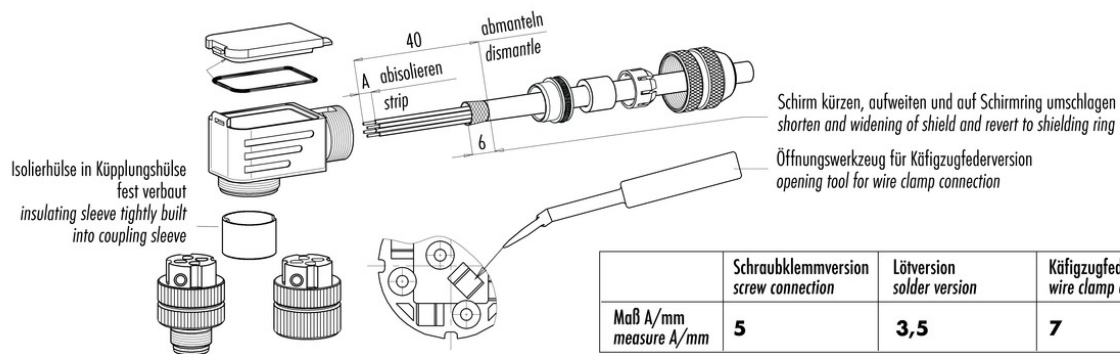


Product	Male angled connector, shieldable, version with shielding ring, with Diecasted Zinc Thread Ring, solder termination	Pole	12
Area	M12 connectors A-Coding	Article number	99 1491 822 12
	serie 713		

Item description



Item description



	Schraubklemmversion screw connection	Lötversion solder version	Käfigzugfederverson wire clamp connection
Maß A/mm measure A/mm	5	3,5	7