

Product Male cable connector, shieldable, version with shielding ring, with Diecasted Zinc Thread Ring, solder termination
Area M12 connectors A-Coding

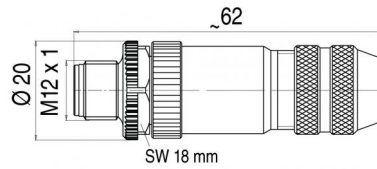
Pole 12
Article number 99 1491 812 12

serie 713

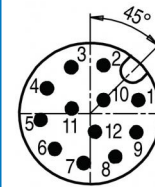
illustration



scale drawing

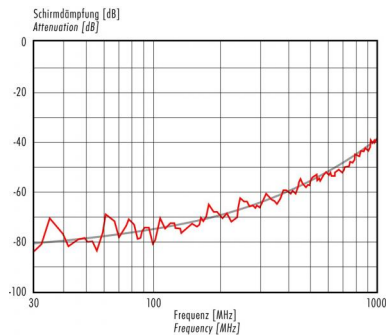


Contact Arrangement



	X	Y
1	2,80	0,78
2	0,78	2,80
3	-1,09	2,69
4	-2,51	1,46
5	-2,88	-0,37
6	-2,05	-2,05
7	-0,37	-2,88
8	1,46	-2,51
9	2,69	-1,09
10	0,78	0,78
11	-1,06	0,29
12	0,29	-1,06

Attenuation characteristic



You can find the item description and assembly instruction on the next page.

Technical data

Common values

Connector Design	Male cable connector
Connector locking system	Screw
Termination	solder
Wire gauge (mm)	0,25 mm ²
Wire gauge (AWG)	24
Cable outlet	6 - 8 mm
Upper temperature	+85 °C
Lower temperature	-40 °C

Material

Material of contact	CuZn (brass)
Contact plating	Au (gold)
Material of contact body	PA
Material of housing	zinc diecasting, nickel plated

Cable data

Contacts 12: cable outlet: 6-8 mm, Male cable connector, shieldable, version with shielding ring, with Diecasted Zinc Thread Ring, solder termination

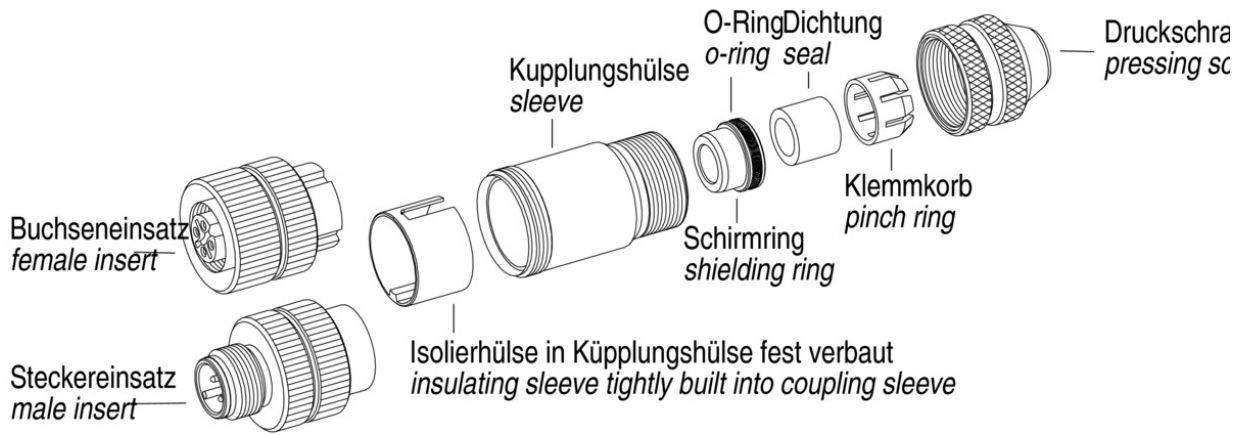
Electrical values

Rated voltage	30 V
Rated impulse voltage	500 V
Pollution degree	3
Overvoltage category	II
Material group	II
Rated current (40°C)	2 A
Volume resistivity	≤ 3 mΩ
Degree of protection	IP 67
Mechanical operation	>100 mating cycles

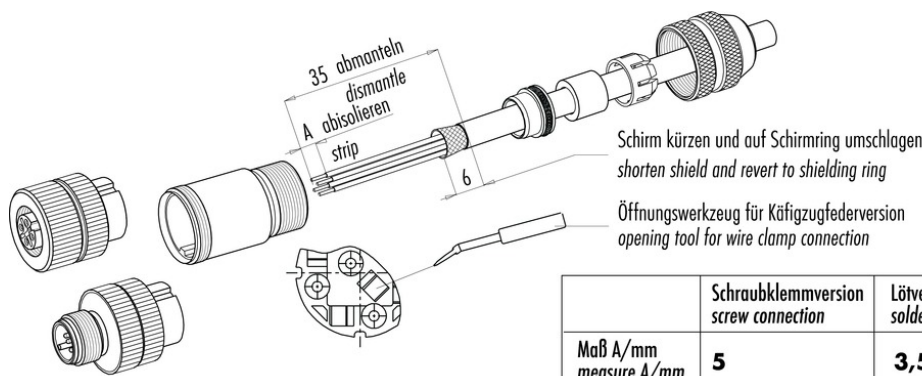


Product	Male cable connector, shieldable, version with shielding ring, with Diecasted Zinc Thread Ring, solder termination	Pole	12
Area	M12 connectors A-Coding serie 713	Article number	99 1491 812 12

Item description



Installation instructions / Mounting cutout



	Schraubklemmversion screw connection	Lötversion solder version	Käfigzugfederversion wire clamp connection
Maß A/mm measure A/mm	5	3,5	7