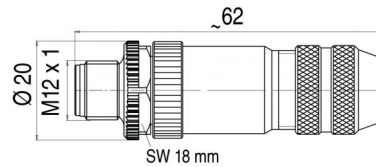


Product	Male cable connector, shieldable, screw termination, version with shielding ring, with Diecasted Zinc Thread Ring	Pole	8
Area	M12 connectors A-Coding	Article number	99 1487 812 08
	serie 713		

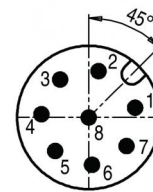
illustration



scale drawing

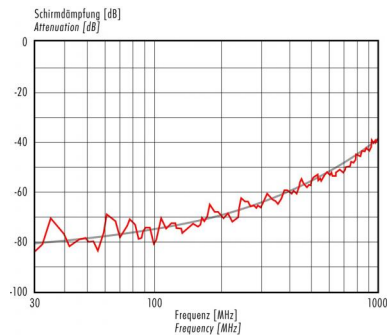


Contact Arrangement



	X	Y
1	2,69	0,57
2	0,57	2,69
3	-1,66	2,20
4	-2,75	0,19
5	-1,94	-1,94
6	0,19	-2,74
7	2,20	-1,65
8	0,00	0,00

Attenuation characteristic



You can find the item description and assembly instruction on the next page.

Technical data

Common values

Connector Design	Male cable connector
Connector locking system	Screw
Termination	screw
Wire gauge (mm)	0,50 mm ²
Wire gauge (AWG)	20
Cable outlet	6 - 8 mm
Upper temperature	+85 °C
Lower temperature	-40 °C

Material

Material of contact	CuZn (brass)
Contact plating	Au (gold)
Material of contact body	PA
Material of housing	zinc diecasting, nickel plated

Cable data

Contacts 8: cable outlet: 6-8 mm, Male cable connector, shieldable, screw termination, version with shielding ring, with Diecasted Zinc Thread Ring

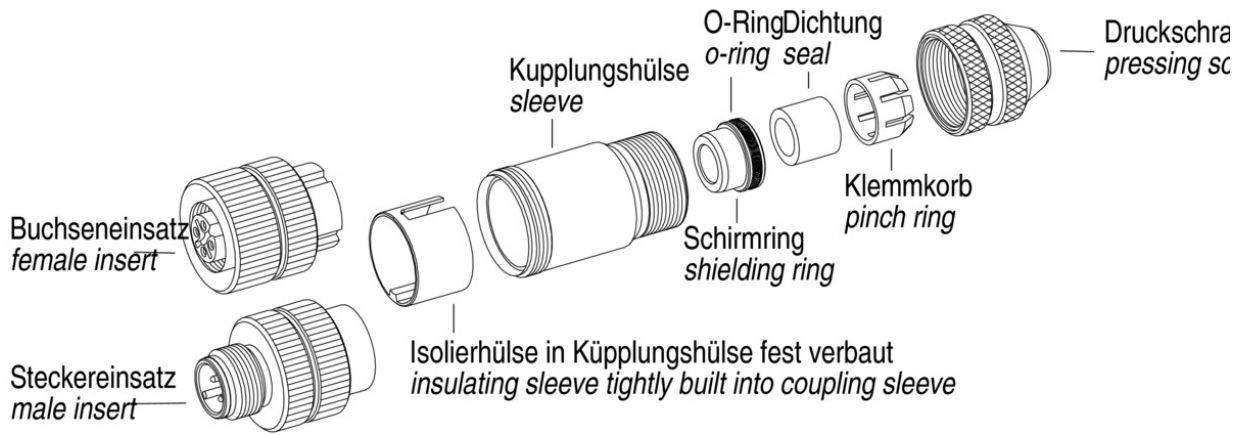
Electrical values

Rated voltage	60 V
Rated impulse voltage	800 V
Pollution degree	3
Overvoltage category	II
Material group	II
Rated current (40°C)	2 A
Volume resistivity	≤ 3 mΩ
Degree of protection	IP 67
Mechanical operation	>100 mating cycles

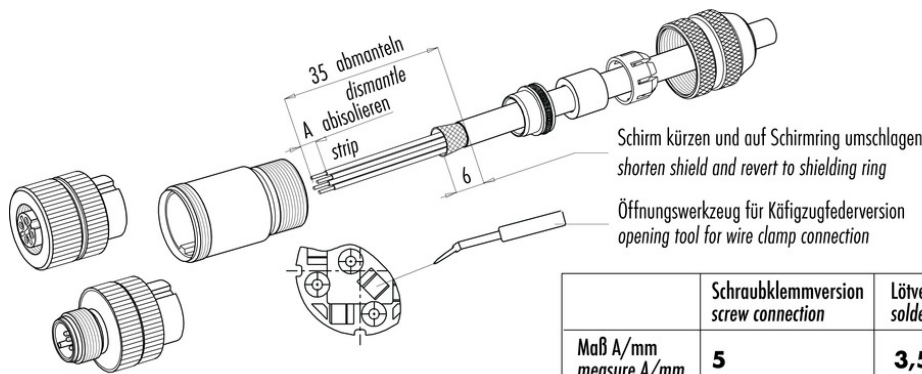


Product	Male cable connector, shieldable, screw termination, version with shielding ring, with Diecasted Zinc Thread Ring	Pole	8
Area	M12 connectors A-Coding serie 713	Article number	99 1487 812 08

Item description



Installation instructions / Mounting cutout



	Schraubklemmversion screw connection	Lötversion solder version	Käfigzugfederversion wire clamp connection
Maß A/mm measure A/mm	5	3,5	7