

Product Female cable connector, shieldable, screw termination, iris type spring, with Diecasted Zinc Thread Ring

Pole 5

Area M12 connectors A-Coding

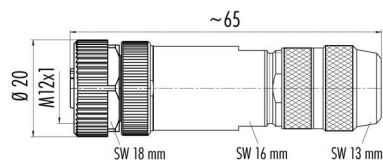
serie 713

Article number 99 1438 814 05

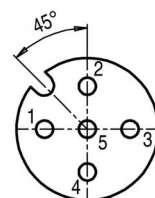
illustration



scale drawing

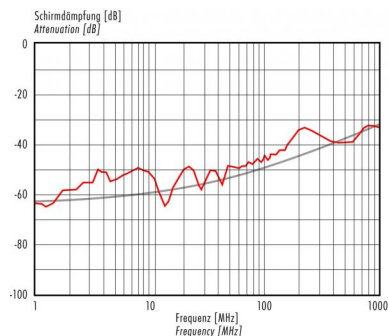


Contact Arrangement



| | X | Y |
|---|-------|-------|
| 1 | -2,50 | 0,00 |
| 2 | 0,00 | 2,50 |
| 3 | 2,50 | 0,00 |
| 4 | 0,00 | -2,50 |
| 5 | 0,00 | 0,00 |

Attenuation characteristic



You can find the item description and assembly instruction on the next page.

Technical data

Common values

| | |
|--------------------------|------------------------|
| Connector Design | Female cable connector |
| Connector locking system | Screw |
| Termination | screw |
| Wire gauge (mm) | 0,75 mm ² |
| Wire gauge (AWG) | 18 |
| Cable outlet | 5 - 8 mm |
| Upper temperature | +85 °C |
| Lower temperature | -40 °C |

Material

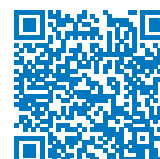
| | |
|--------------------------|--------------------------------|
| Material of contact | CuZn (brass) |
| Contact plating | Au (gold) |
| Material of contact body | PA |
| Material of housing | zinc diecasting, nickel plated |

Cable data

Contacts 5: cable outlet: 5-8 mm, Female cable connector, shieldable, screw termination, iris type spring, with Diecasted Zinc Thread Ring

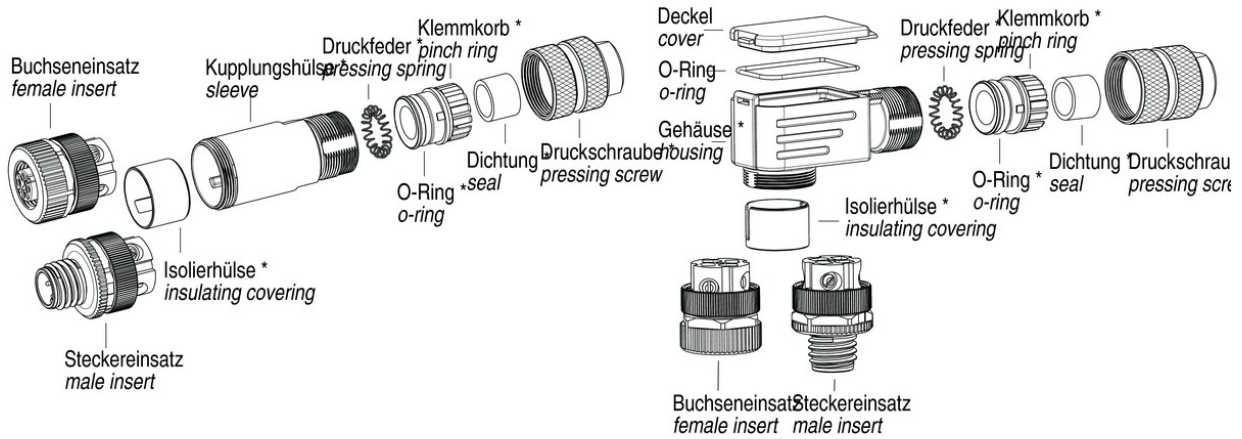
Electrical values

| | |
|-----------------------|--------------------|
| Rated voltage | 125 V |
| Rated impulse voltage | 1500 V |
| Pollution degree | 3 |
| Overvoltage category | II |
| Material group | II |
| Rated current (40°C) | 4 A |
| Volume resistivity | ≤ 3 mΩ |
| Degree of protection | IP 67 |
| Mechanical operation | >100 mating cycles |



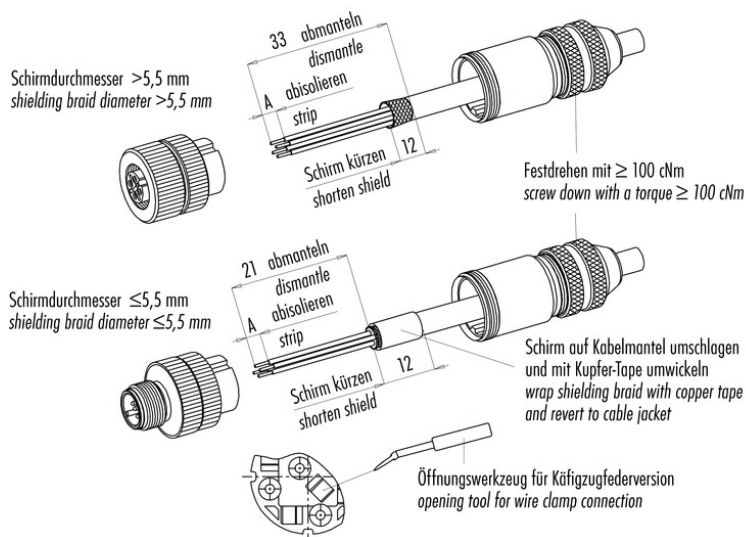
| | | | |
|---------|--|-----------|-------------------------------|
| Product | Female cable connector, shieldable, screw termination, iris type spring, with Diecasted Zinc Thread Ring | Pole | 5 |
| Area | M12 connectors A-Coding | serie 713 | Article number 99 1438 814 05 |

Item description



* Teile vormontiert
Premounted parts

Installation instructions / Mounting cutout



| | Schraubklemmversion screw connection | Käfigzugfederversion wire clamp connection |
|--------------------------|---|---|
| Maß A/mm measure A/mm | 5 | 7 |