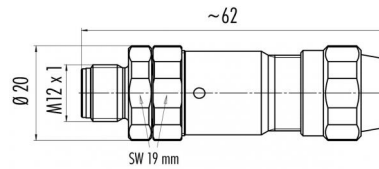


Product Area	Male cable connector, shieldable, screw termination, shielding ring, stainless steel version M12 connectors B-Coding serie 715	Pole Article number	5 99 1437 995 05
--------------	-----------------------------------------------------------------------------------------------------------------------------------	---------------------	---------------------

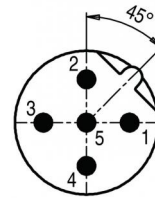
**illustration**



**scale drawing**

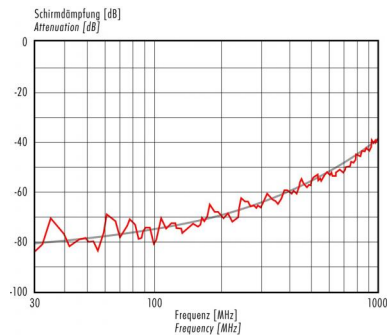


**Contact Arrangement**



	X	Y
1	2,50	0,00
2	0,00	2,50
3	-2,50	0,00
4	0,00	-2,50
5	0,00	0,00

**Attenuation characteristic**



You can find the item description and assembly instruction on the next page.

**Technical data**

**Common values**

Connector Design	Male cable connector
Connector locking system	Screw
Termination	screw
Wire gauge (mm)	0,75 mm <sup>2</sup>
Wire gauge (AWG)	18
Cable outlet	5.5 - 8.6 mm
Upper temperature	+85 °C
Lower temperature	-40 °C

**Material**

Material of contact	CuZn (brass)
Contact plating	Au (gold)
Material of contact body	PA
Material of housing	zinc diecasting, nickel plated, stainless steel 1.4404

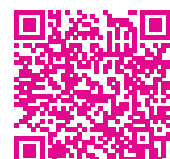
**Cable data**

material housing	-
insulation single lead	-
single lead structure	-
conductor resistance	-
bending radius cable fixed	-
bending radius cable movable	-

**Electrical values**

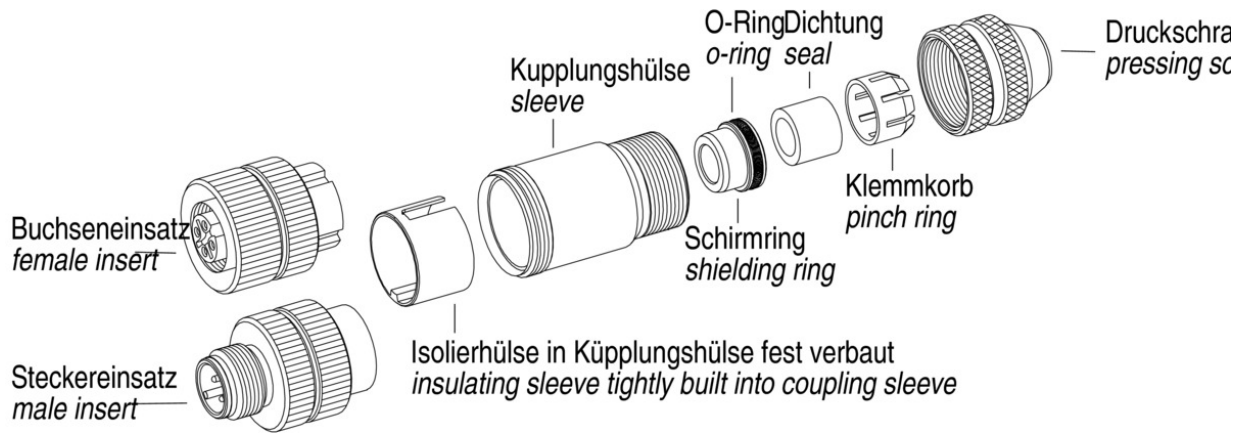
Rated voltage	125 V
Rated impulse voltage	1500 V
Pollution degree	3
Overvoltage category	II
Material group	III
Rated current (40°C)	4 A
Volume resistivity	≤ 3 mΩ
Degree of protection	IP 67
Mechanical operation	>100 mating cycles

Cabel outlet: 6 - 8 mm, contacts: 5, male cable connector, shieldable, screw termination, shielding ring, stainless steel version



Product Area	Male cable connector, shieldable, screw termination, shielding ring, stainless steel version M12 connectors B-Coding serie 715	Pole Article number	5 99 1437 995 05
--------------	-----------------------------------------------------------------------------------------------------------------------------------	---------------------	---------------------

Item description



Installation instructions / Mounting cutout

