

Product Male angled connector, shieldable, screw termination, version with shielding ring, with Diecasted Zinc Thread Ring
Area M12 connectors A-Coding

Pole 5

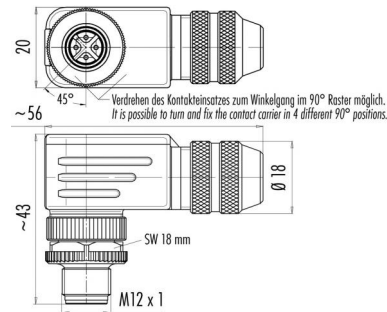
serie 713

Article number 99 1437 824 05

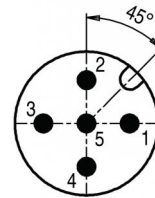
illustration



scale drawing



Contact Arrangement



	X	Y
1	2,50	0,00
2	0,00	2,50
3	-2,50	0,00
4	0,00	-2,50
5	0,00	0,00

You can find the item description on the next page.

Technical data

Common values

Connector Design	Male angled cable connector
Connector locking system	Screw
Termination	screw
Wire gauge (mm)	0,75 mm ²
Wire gauge (AWG)	18
Cable outlet	4 - 6 mm
Upper temperature	+85 °C
Lower temperature	-40 °C

Material

Material of contact	CuZn (brass)
Contact plating	Au (gold)
Material of contact body	PA
Material of housing	zinc diecasting, nickel plated

Cable data

Contacts 5: cable outlet: 4-6 mm, Male angled connector, shieldable, screw termination, version with shielding ring, with Diecasted Zinc Thread Ring

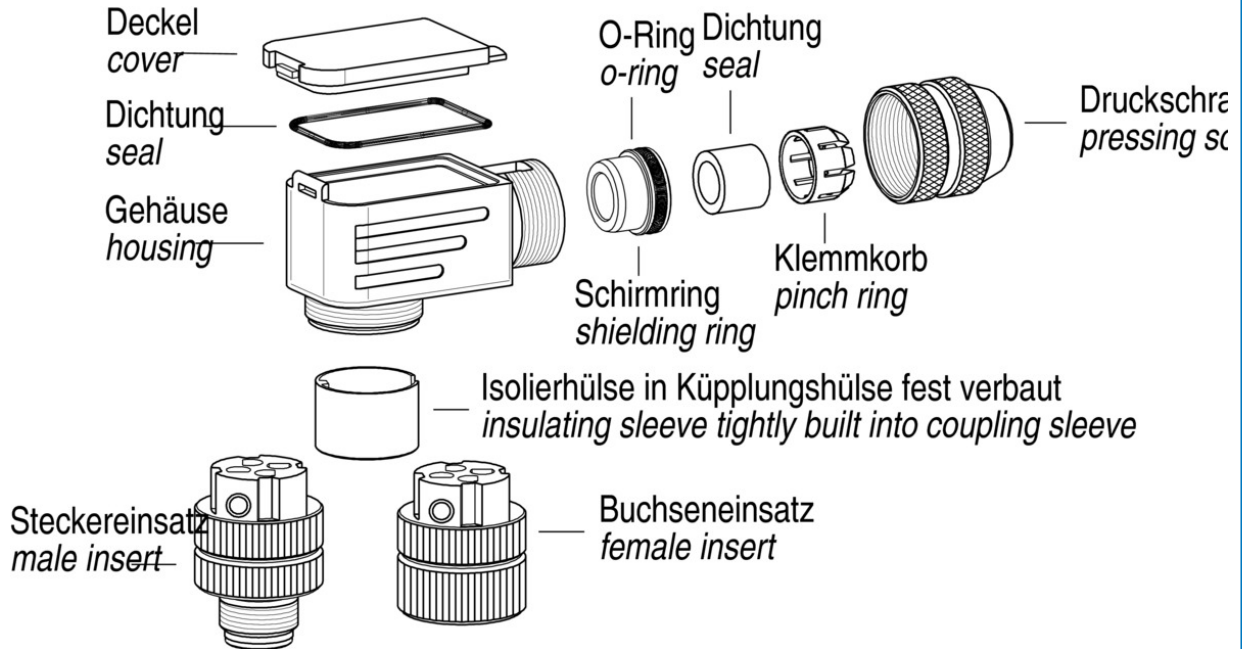
Electrical values

Rated voltage	125 V
Rated impulse voltage	1500 V
Pollution degree	3
Overvoltage category	II
Material group	III
Rated current (40°C)	4 A
Volume resistivity	≤ 3 mΩ
Degree of protection	IP 67
Mechanical operation	>100 mating cycles

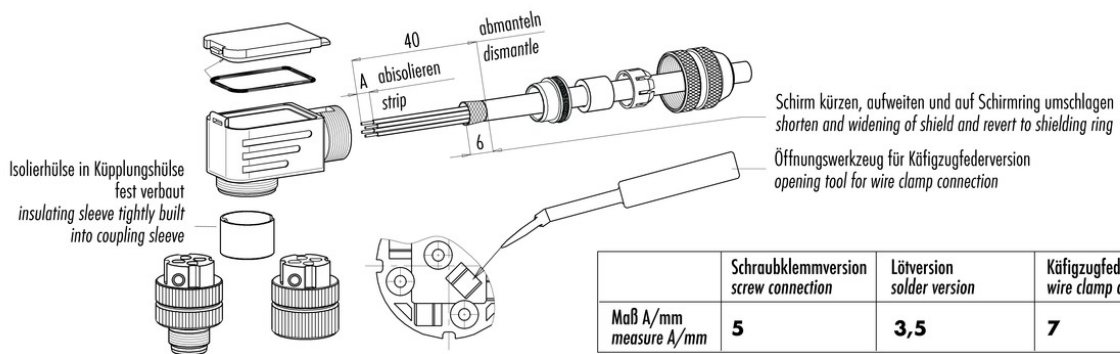


Product	Male angled connector, shieldable, screw termination, version with shielding ring, with Diecasted Zinc Thread Ring	Pole	5
Area	M12 connectors A-Coding serie 713	Article number	99 1437 824 05

Item description



Item description



	Schraubklemmversion screw connection	Lötversion solder version	Käfigzugfederverision wire clamp connection
Maß A/mm measure A/mm	5	3,5	7