

**Product** Male cable connector, shieldable, screw termination, version with shielding ring, with Diecasted Zinc Thread Ring  
**Area** M12 connectors A-Coding

**Pole** 5

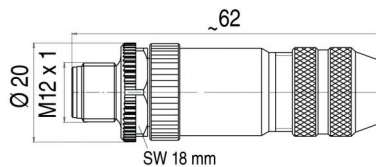
serie 713

**Article number** 99 1437 812 05

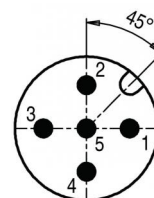
**illustration**



**scale drawing**

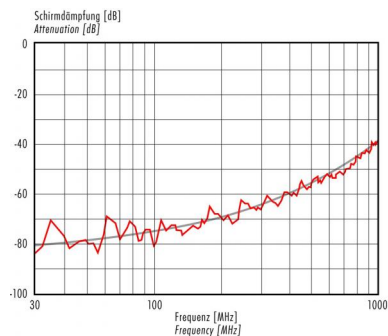


**Contact Arrangement**



	X	Y
1	2,50	0,00
2	0,00	2,50
3	-2,50	0,00
4	0,00	-2,50
5	0,00	0,00

**Attenuation characteristic**



You can find the item description and assembly instruction on the next page.

**Technical data**

**Common values**

Connector Design	Male cable connector
Connector locking system	Screw
Termination	screw
Wire gauge (mm)	0,75 mm <sup>2</sup>
Wire gauge (AWG)	18
Cable outlet	6 - 8 mm
Upper temperature	+85 °C
Lower temperature	-40 °C

**Material**

Material of contact	CuZn (brass)
Contact plating	Au (gold)
Material of contact body	PA
Material of housing	zinc diecasting, nickel plated

**Cable data**

Contacts 5: cable outlet: 6-8 mm, Male cable connector, shieldable, screw termination, version with shielding ring, with Diecasted Zinc Thread Ring

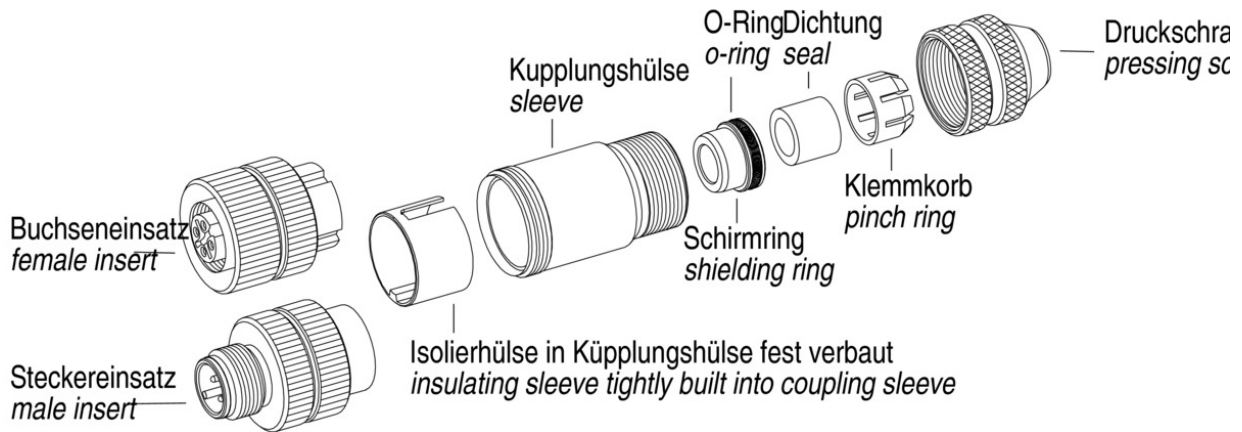
**Electrical values**

Rated voltage	125 V
Rated impulse voltage	1500 V
Pollution degree	3
Overvoltage category	II
Material group	II
Rated current (40°C)	4 A
Volume resistivity	≤ 3 mΩ
Degree of protection	IP 67
Mechanical operation	>100 mating cycles

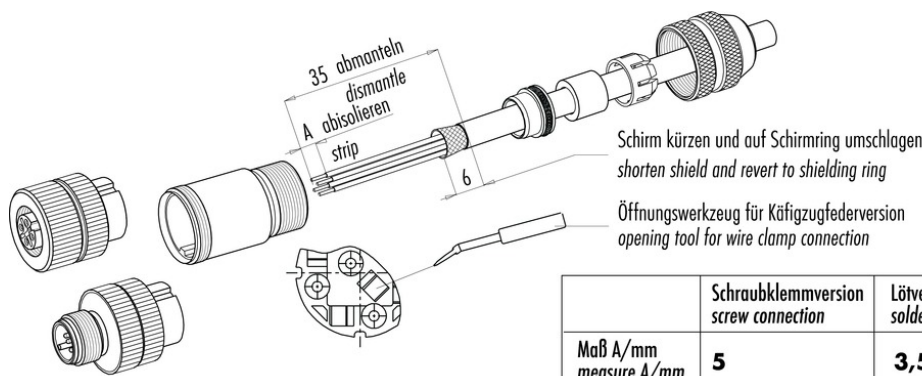


Product	Male cable connector, shieldable, screw termination, version with shielding ring, with Diecasted Zinc Thread Ring	Pole	5
Area	M12 connectors A-Coding serie 713	Article number	99 1437 812 05

Item description



Installation instructions / Mounting cutout



	Schraubklemmversion screw connection	Lötversion solder version	Käfigzugfederversion wire clamp connection
Maß A/mm measure A/mm	<b>5</b>	<b>3,5</b>	<b>7</b>