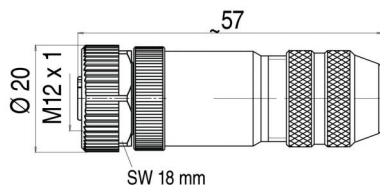


| | | | |
|--------------|---|---------------------|---------------------|
| Product Area | Female cable connector, shieldable, screw termination, version with shielding ring M12 connectors B-Coding serie 715 | Pole Article number | 5 99 1436 910 05 |
|--------------|---|---------------------|---------------------|

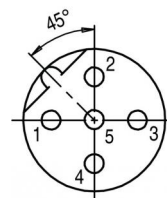
illustration



scale drawing

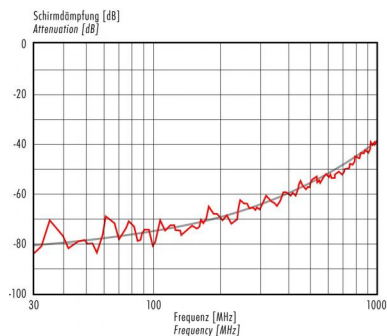


Contact Arrangement



| | X | Y |
|---|-------|-------|
| 1 | -2,50 | 0,00 |
| 2 | 0,00 | 2,50 |
| 3 | 2,50 | 0,00 |
| 4 | 0,00 | -2,50 |
| 5 | 0,00 | 0,00 |

Attenuation characteristic



You can find the item description and assembly instruction on the next page.

Technical data

Common values

| | |
|--------------------------|------------------------|
| Connector Design | Female cable connector |
| Connector locking system | Screw |
| Termination | screw |
| Wire gauge (mm) | 0,75 mm ² |
| Wire gauge (AWG) | 18 |
| Cable outlet | 6,5 - 8,5 mm |
| Upper temperature | +85 °C |
| Lower temperature | -40 °C |

Material

| | |
|--------------------------|---------------------------------------|
| Material of contact | CuZn (brass) |
| Contact plating | Au (gold) |
| Material of contact body | PA |
| Material of housing | PA/zinc diecasting, nickel plated, PA |

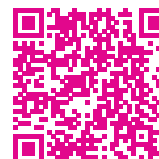
Electrical values

| | |
|-----------------------|--------------------|
| Rated voltage | 125 V |
| Rated impulse voltage | 1500 V |
| Pollution degree | 3 |
| Overvoltage category | II |
| Material group | III |
| Rated current (40°C) | 4 A |
| Volume resistivity | ≤ 3 mΩ |
| EMV compliance | shielded |
| Degree of protection | IP 67 |
| Mechanical operation | >100 mating cycles |

Cable data

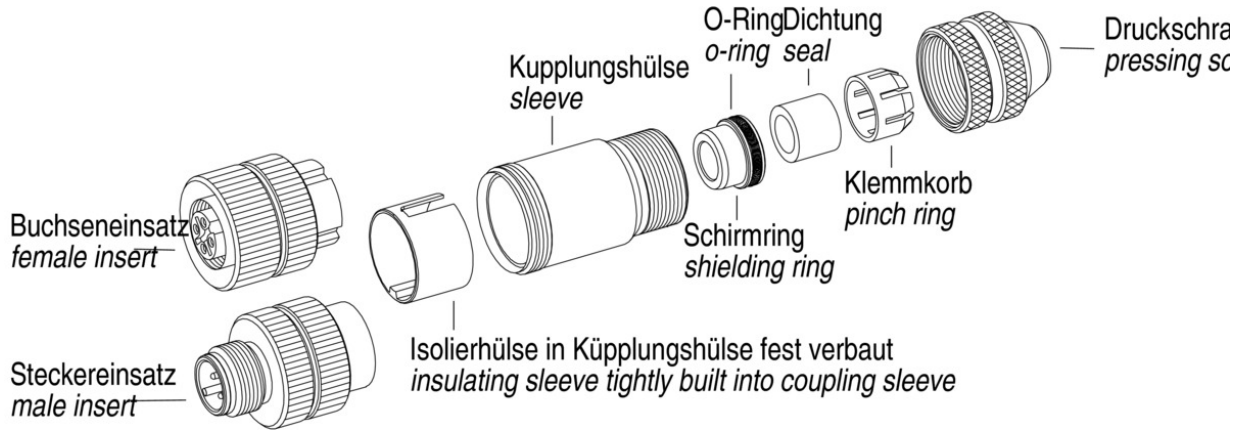
| | |
|------------------------------|---|
| material housing | - |
| insulation single lead | - |
| single lead structure | - |
| conductor resistance | - |
| bending radius cable fixed | - |
| bending radius cable movable | - |

Cabel outlet: 6,5 - 8,5 mm, contacts: 5, female cable connector, shieldable, screw termination, version with shielding ring

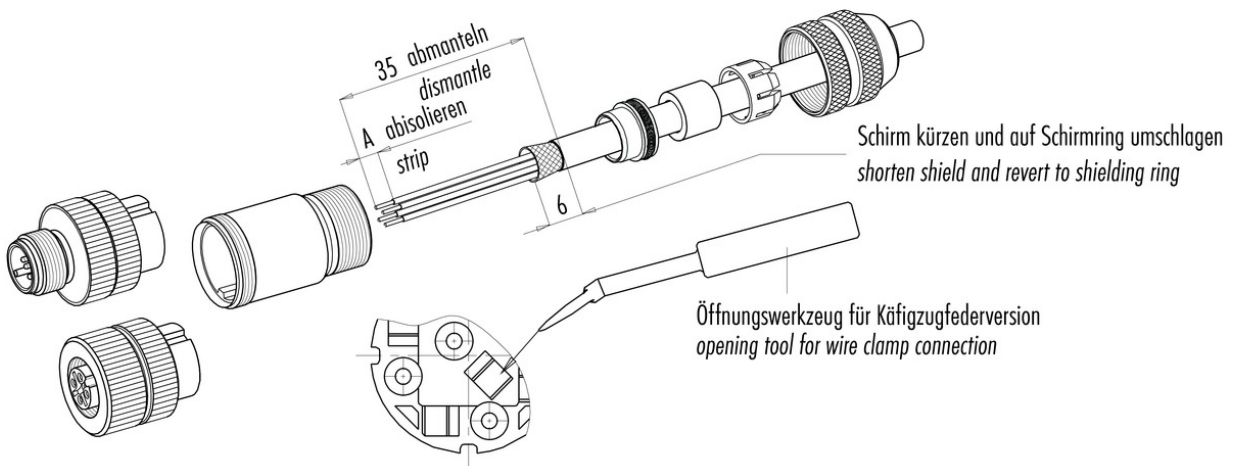


| | | | |
|--------------|---|---------------------|---------------------|
| Product Area | Female cable connector, shieldable, screw termination, version with shielding ring M12 connectors B-Coding serie 715 | Pole Article number | 5 99 1436 910 05 |
|--------------|---|---------------------|---------------------|

Item description



Installation instructions / Mounting cutout



| | Schraubklemmversion screw connection | Käfigzugfederversion wire clamp connection |
|-----------------------|--------------------------------------|--|
| Maß A/mm measure A/mm | 5 | 7 |