

**Product** Female angled connector, shieldable, screw termination, version with shielding ring, with Diecasted Zinc Thread Ring  
**Area** M12 connectors A-Coding

**Pole** 4

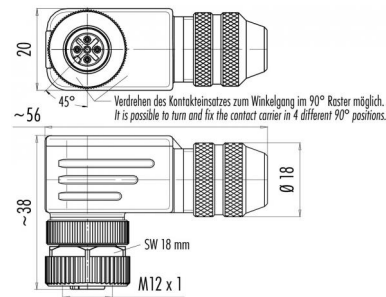
serie 713

**Article number** 99 1430 822 04

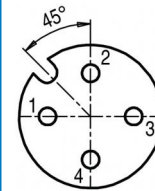
**illustration**



**scale drawing**



**Contact Arrangement**



	X	Y
1	-2,50	0,00
2	0,00	2,50
3	2,50	0,00
4	0,00	-2,50

You can find the item description on the next page.

**Technical data**

**Common values**

Connector Design	Female angled cable connector
Connector locking system	Screw
Termination	screw
Wire gauge (mm)	0,75 mm <sup>2</sup>
Wire gauge (AWG)	18
Cable outlet	6 - 8 mm
Upper temperature	+85 °C
Lower temperature	-40 °C

**Material**

Material of contact	CuZn (brass)
Contact plating	Au (gold)
Material of contact body	PA
Material of housing	zinc diecasting, nickel plated

**Cable data**

Contacts 4: cable outlet: 6-8 mm, Female angled connector, shieldable, screw termination, version with shielding ring, with Diecasted Zinc Thread Ring

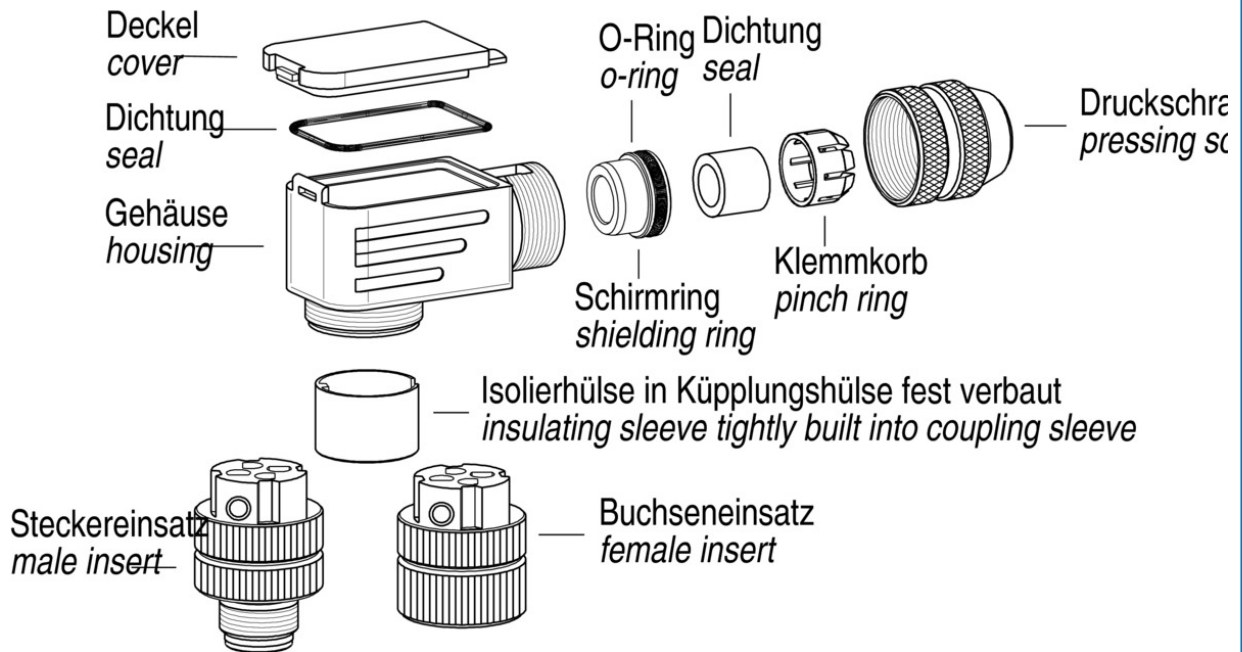
**Electrical values**

Rated voltage	250 V
Rated impulse voltage	2500 V
Pollution degree	3
Overvoltage category	II
Material group	III
Rated current (40°C)	4 A
Volume resistivity	≤ 3 mΩ
Degree of protection	IP 67
Mechanical operation	>100 mating cycles

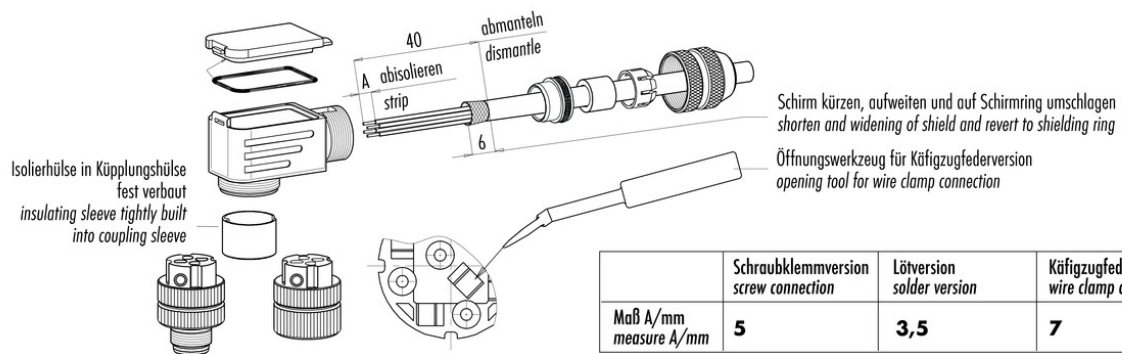


Product	Female angled connector, shieldable, screw termination, version with shielding ring, with Diecasted Zinc Thread Ring	Pole	4
Area	M12 connectors A-Coding	Article number	99 1430 822 04
	serie 713		

Item description



Item description



	Schraubklemmversion screw connection	Lötversion solder version	Käfigzugfederverson wire clamp connection
Maß A/mm measure A/mm	5	3,5	7