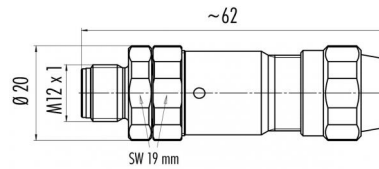


Product Area	Male cable connector, shieldable, screw termination, shielding ring, stainless steel version M12 connectors B-Coding serie 715	Pole Article number	4 99 1429 995 04
--------------	---	---------------------	---------------------

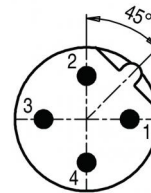
illustration



scale drawing

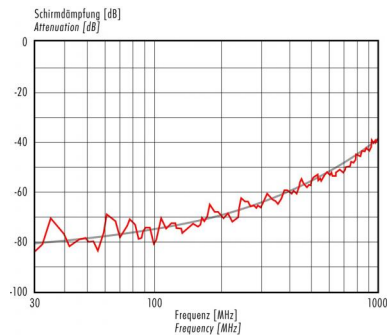


Contact Arrangement



	X	Y
1	2,50	0,00
2	0,00	2,50
3	-2,50	0,00
4	0,00	-2,50

Attenuation characteristic



You can find the item description and assembly instruction on the next page.

Technical data

Common values

Connector Design	Male cable connector
Connector locking system	Screw
Termination	screw
Wire gauge (mm)	0,75 mm ²
Wire gauge (AWG)	18
Cable outlet	5.5 - 8.6 mm
Upper temperature	+85 °C
Lower temperature	-40 °C

Material

Material of contact	CuZn (brass)
Contact plating	Au (gold)
Material of contact body	PA
Material of housing	zinc diecasting, nickel plated, stainless steel 1.4404

Electrical values

Rated voltage	125 V
Rated impulse voltage	1500 V
Pollution degree	3
Overvoltage category	II
Material group	III
Rated current (40°C)	4 A
Volume resistivity	≤ 3 mΩ
Degree of protection	IP 67
Mechanical operation	>100 mating cycles

Cable data

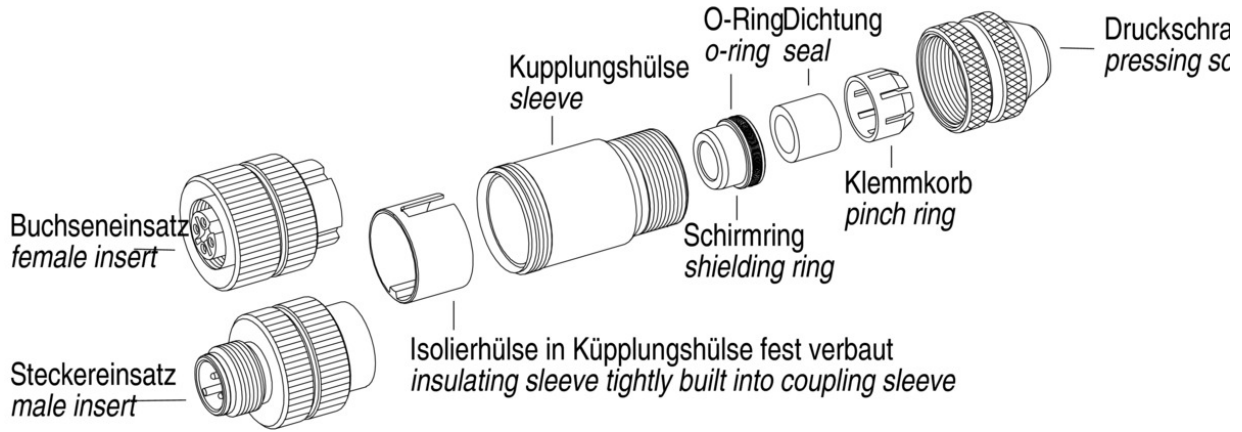
material housing	-
insulation single lead	-
single lead structure	-
conductor resistance	-
bending radius cable fixed	-
bending radius cable movable	-

Cabel outlet: 6 - 8 mm, contacts: 4, male cable connector, shieldable, screw termination, shielding ring, stainless steel version

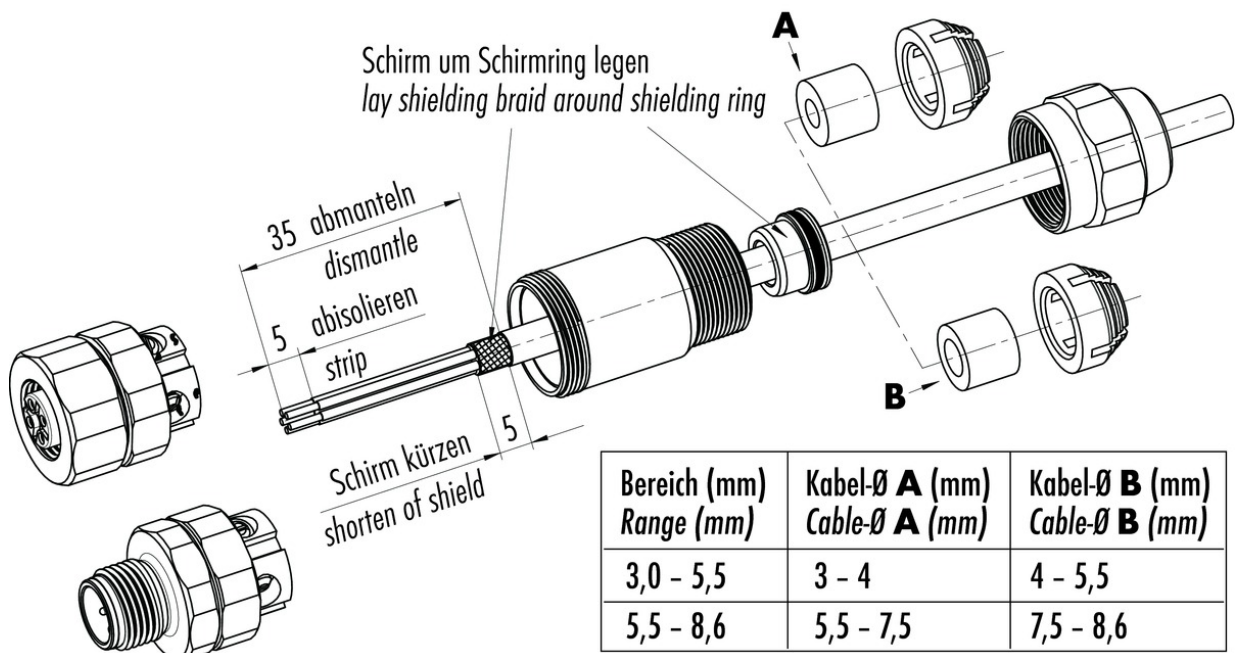


Product Area	Male cable connector, shieldable, screw termination, shielding ring, stainless steel version M12 connectors B-Coding serie 715	Pole	4
		Article number	99 1429 995 04

Item description



Installation instructions / Mounting cutout



Bereich (mm) Range (mm)	Kabel-Ø A (mm) Cable-Ø A (mm)	Kabel-Ø B (mm) Cable-Ø B (mm)
3,0 - 5,5	3 - 4	4 - 5,5
5,5 - 8,6	5,5 - 7,5	7,5 - 8,6