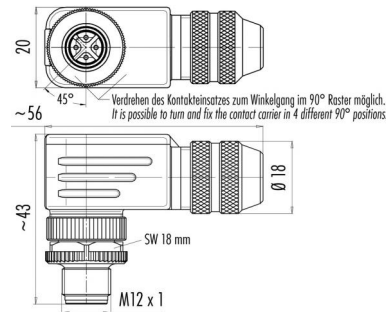


Product	Male angled connector, shieldable, screw termination, version with shielding ring with Diecasted Zinc Thread Ring	Pole	4
Area	M12 connectors B-Coding serie 715	Article number	99 1429 820 04

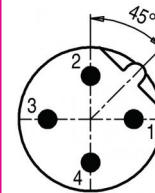
illustration



scale drawing



Contact Arrangement



	X	Y
1	2,50	0,00
2	0,00	2,50
3	-2,50	0,00
4	0,00	-2,50

You can find the item description and assembly instruction on the next page.

Technical data

Common values

Connector Design	Male angled cable connector
Connector locking system	Screw
Termination	screw
Wire gauge (mm)	0,75 mm ²
Wire gauge (AWG)	18
Cable outlet	6 - 8 mm
Upper temperature	+85 °C
Lower temperature	-40 °C

Material

Material of contact	CuZn (brass)
Contact plating	Au (gold)
Material of contact body	PA
Material of housing	PA/zinc diecasting, nickel plated, PA

Cable data

material housing	-
insulation single lead	-
single lead structure	-
conductor resistance	-
bending radius cable fixed	-
bending radius cable movable	-

Electrical values

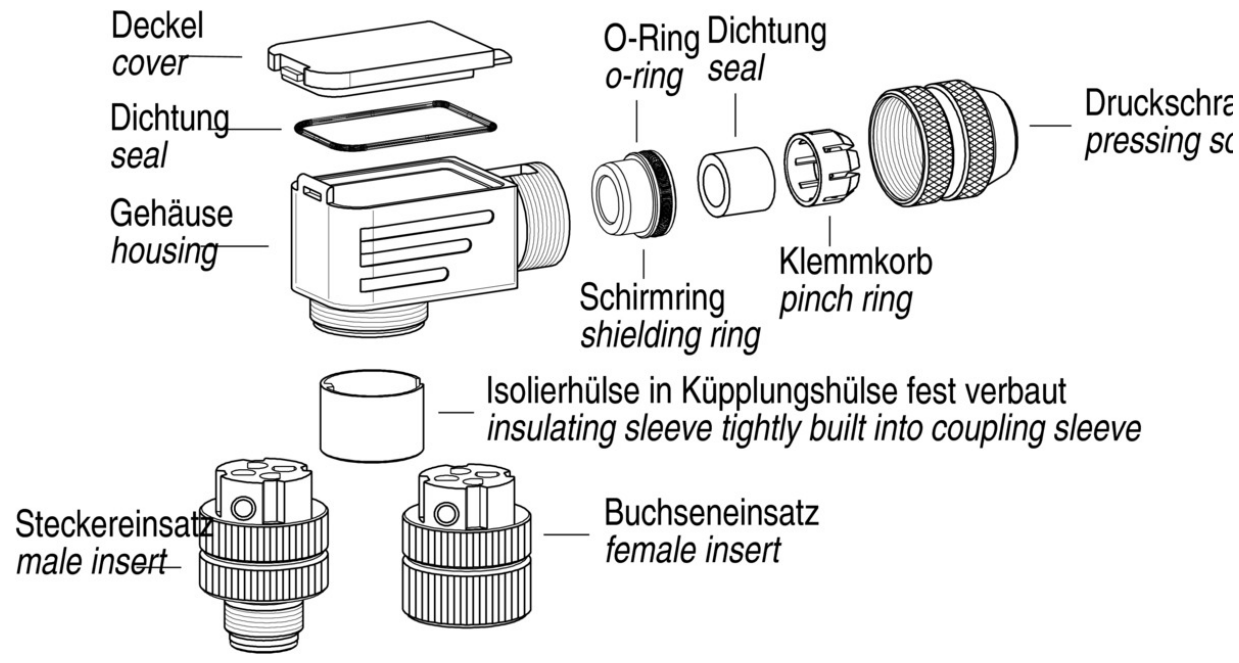
Rated voltage	250 V
Rated impulse voltage	2500 V
Pollution degree	3
Overvoltage category	II
Material group	II
Rated current (40 °C)	4 A
Volume resistivity	≤ 3 mΩ
EMV compliance	shielded
Degree of protection	IP 67
Mechanical operation	>100 mating cycles

Cabel outlet: 6 - 8 mm, contacts: 4, male angled connector, shieldable, screw termination, version with shielding ring

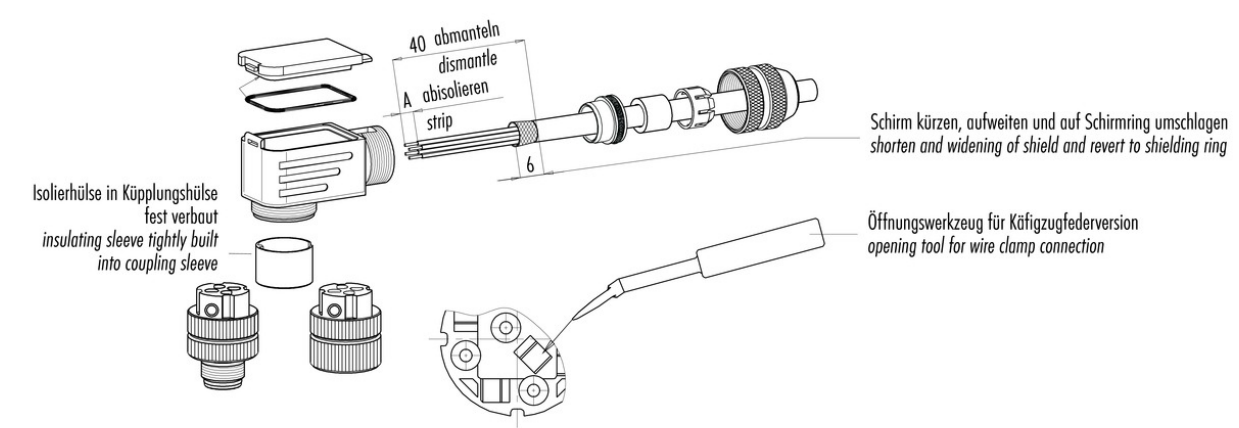


Product	Male angled connector, shieldable, screw termination, version with shielding ring with Diecasted Zinc Thread Ring	Pole	4
Area	M12 connectors B-Coding serie 715	Article number	99 1429 820 04

Item description



Installation instructions / Mounting cutout



	Schraubklemmversion screw connection	Käfigzugfederversion wire clamp connection
Maß A/mm measure A/mm	5	7