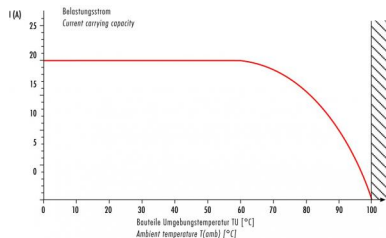


Product Male angled connector
Area RD 30 connectors

serie 694

Pole 24
Article number 99 0737 72 24

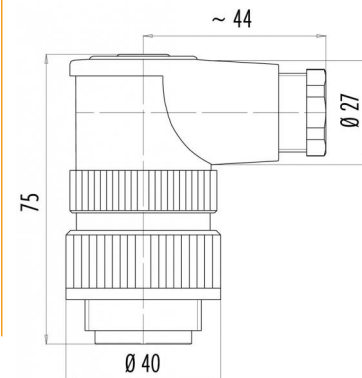
Deratingkurven



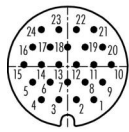
illustration



scale drawing



Contact Arrangement



| | X | Y |
|----|-------|-------|
| 1 | 5,25 | -6,60 |
| 2 | 1,75 | -6,60 |
| 3 | -1,75 | -6,60 |
| 4 | -5,25 | -6,60 |
| 5 | -7,00 | -3,10 |
| 6 | -3,50 | -3,10 |
| 7 | 0,00 | -3,10 |
| 8 | 3,50 | -3,10 |
| 9 | 7,00 | -3,10 |
| 10 | 8,75 | 0,40 |
| 11 | 5,25 | 0,40 |
| 12 | 1,75 | 0,40 |
| 13 | -1,75 | 0,40 |
| 14 | -5,25 | 0,40 |
| 15 | -8,75 | 0,40 |
| 16 | -7,00 | 3,90 |
| 17 | -3,50 | 3,90 |
| 18 | 0,00 | 3,90 |
| 19 | 3,50 | 3,90 |
| 20 | 7,00 | 3,90 |
| 21 | 5,25 | 7,40 |
| 22 | 1,75 | 7,40 |
| 23 | -1,75 | 7,40 |
| 24 | -5,25 | 7,40 |

You can find the item description on the next page.

Technical data

Common values

| | |
|--------------------------|-----------------------------|
| Connector Design | Male angled cable connector |
| Connector locking system | Screw |
| Termination | solder |
| Wire gauge (mm) | 0,25 mm ² |
| Wire gauge (AWG) | 24 |
| Cable outlet | 12 - 14 mm |
| Upper temperature | +100 °C |
| Lower temperature | -40 °C |

Material

| | |
|--------------------------|----------------|
| Material of contact | CuZn (brass) |
| Contact plating | Au (gold) |
| Material of contact body | PA (UL 94 HB) |
| Material of housing | PA (UL 94 V-0) |

Cable data

Contacts 24+PE, male angled connector, Cable outlet 12 - 14 mm

Electrical values

| | |
|-----------------------|--------------------|
| Rated voltage | 125 V |
| Rated impulse voltage | 2500 V |
| Pollution degree | 3 |
| Overvoltage category | III |
| Material group | III |
| Rated current (40°C) | 3 A |
| Volume resistivity | ≤ 3 mΩ |
| EMV compliance | not shielded |
| Degree of protection | IP 65 |
| Mechanical operation | >500 mating cycles |



| | | | | |
|--------------|---|-----------|----------------|---------------|
| Product Area | Male angled connector RD 30 connectors | serie 694 | Pole | 24 |
| | | | Article number | 99 0737 72 24 |

Date: 2014-07-20 - Page 2 of 2

Item description

1. Winkelkappe, Winkelhülse, Dichtung, Klemmkorb und Druckschraube auffädeln.
2. Kontakteinsatz in Gehäuse einclipen.
3. Leiter abmanteln, absolieren und anschließen.
4. Winkelhülse mit vormontiertem Gehäuse bis zum mechanischen Anschlag fest verschrauben.
5. Teile gemäß Darstellung montieren.

1. Bead angled hood, sleeve, seal, pinch ring and pressing screw.
2. Clip contact insert into housing.
3. Dismantle cable, strip wire and connect wires.
4. Strongly fasten angled sleeve with preassembled housing up to mechanical stop.
5. Mount remaining parts according to figure.

