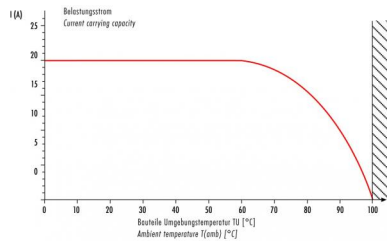


Product Area	Female socket RD 30 connectors	serie 694	Pole Article number	4+PE 99 0712 00 05
--------------	-----------------------------------	-----------	---------------------	-----------------------

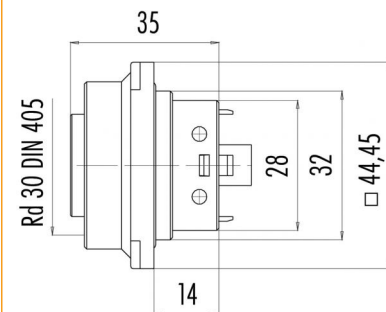
Deratingkurven



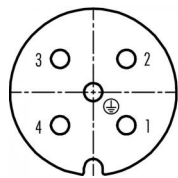
illustration



scale drawing



Contact Arrangement



	X	Y
1	4,77	-4,77
2	4,77	4,77
3	-4,77	4,77
4	-4,77	-4,77
⊕	0,00	0,00

You can find the assembly instruction on the next page.

Technical data

Common values

Connector Design	Female socket
Connector locking system	Screw
Termination	screw
Wire gauge (mm)	2,50 mm ²
Wire gauge (AWG)	14
Cable outlet	-
Upper temperature	+100 °C
Lower temperature	-40 °C

Material

Material of contact	CuSn (bronze)
Contact plating	Ag (silver)
Material of contact body	PA (UL 94 HB)
Material of housing	PA (UL 94 V-0)

Cable data

Contacts 4+PE, female socket

Electrical values

Rated voltage	400 V
Rated impulse voltage	6000 V
Pollution degree	3
Overvoltage category	III
Material group	III
Rated current (40°C)	20 A
Volume resistivity	≤ 5 mΩ
EMV compliance	not shielded
Degree of protection	IP 65
Mechanical operation	>500 mating cycles



Product
Area

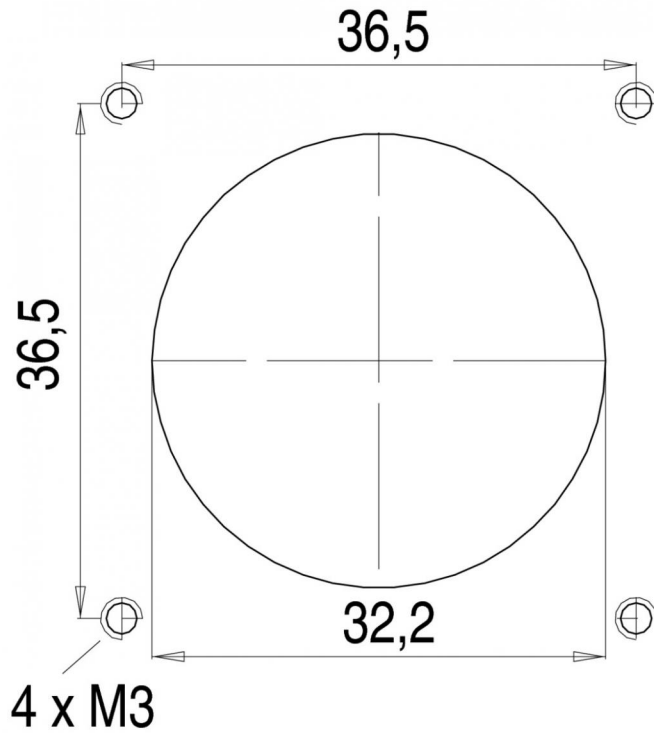
Female socket
RD 30 connectors

serie 694

Pole
Article number

4+PE
99 0712 00 05

Installation instructions / Mounting cutout



Date: 2014-07-20 - Page 2 of 2