

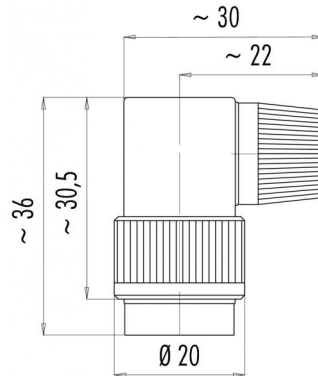
Product Area Female angled connector, cable outlet 4-6 mm Bayonet connectors serie 678

Pole 16 Article number 99 0658 70 16

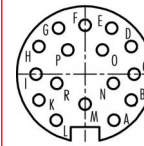
illustration



scale drawing



Contact Arrangement



| | X | Y |
|---|-------|-------|
| A | 2,50 | -4,00 |
| B | 4,00 | -2,25 |
| C | 4,25 | 0,00 |
| D | 4,00 | 2,40 |
| E | 2,30 | 4,00 |
| F | 0,00 | 4,25 |
| G | -2,30 | 4,00 |
| H | -4,00 | 2,40 |
| I | -4,25 | 0,00 |
| K | -4,00 | -2,25 |
| L | -2,50 | -4,00 |
| M | 0,00 | -2,60 |
| N | 2,45 | -0,80 |
| O | 1,50 | 2,10 |
| P | -1,50 | 2,10 |
| R | -2,40 | -0,80 |

You can find the item description on the next page.

Technical data

Common values

| | |
|--------------------------|-------------------------------|
| Connector Design | Female angled cable connector |
| Connector locking system | BayonetHocking |
| Termination | solder |
| Wire gauge (mm) | 0,25 mm ² |
| Wire gauge (AWG) | 24 |
| Cable outlet | 4 - 6 mm |
| Upper temperature | +85 °C |
| Lower temperature | -40 °C |

Material

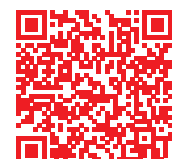
| | |
|--------------------------|-----------------|
| Material of contact | CuSn (bronze) |
| Contact plating | Au (gold) |
| Material of contact body | PBT (UL 94 V-0) |
| Material of housing | PA (UL 94 V-0) |

Cable data

Contacts 16, female angled connector, cable outlet 4 - 6 mm

Electrical values

| | |
|-----------------------|--------------------|
| Rated voltage | 60 V |
| Rated impulse voltage | 500 V |
| Pollution degree | I |
| Overvoltage category | I |
| Material group | III |
| Rated current (40°C) | 3 A |
| Volume resistivity | ≤ 3 mΩ |
| EMV compliance | not shielded |
| Degree of protection | IP 40 |
| Mechanical operation | >500 mating cycles |



Product Female angled connector, cable outlet 4-6 mm
 Area Bayonet connectors serie 678

Pole 16
 Article number 99 0658 70 16

Date: 2014-07-20 - Page 2 of 2

Item description

