

Product Male angled connector, cable outlet 6-8 mm
Area Bayonet connectors

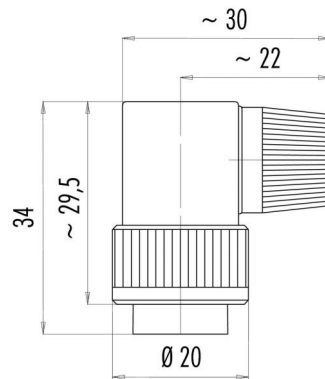
serie 678

Pole 14
Article number 99 0653 72 14

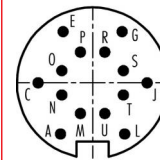
illustration



scale drawing



Contact Arrangement



| | X | Y |
|---|-------|-------|
| A | -2,50 | -4,00 |
| C | -4,25 | 0,00 |
| E | -2,30 | 4,00 |
| G | 2,30 | 4,00 |
| J | 4,25 | 0,00 |
| L | 2,50 | -4,00 |
| M | -0,95 | -2,40 |
| N | -2,40 | -0,95 |
| O | -2,40 | 0,95 |
| P | -0,95 | 2,40 |
| R | 0,95 | 2,40 |
| S | 2,40 | 0,95 |
| T | 2,40 | -0,95 |
| U | 0,95 | -2,40 |

You can find the item description on the next page.

Technical data

Common values

| | |
|--------------------------|-----------------------------|
| Connector Design | Male angled cable connector |
| Connector locking system | BayonetHocking |
| Termination | solder |
| Wire gauge (mm) | 0,25 mm ² |
| Wire gauge (AWG) | 24 |
| Cable outlet | 6 - 8 mm |
| Upper temperature | +85 °C |
| Lower temperature | -40 °C |

Material

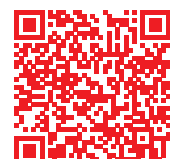
| | |
|--------------------------|-----------------|
| Material of contact | CuZn (brass) |
| Contact plating | Au (gold) |
| Material of contact body | PBT (UL 94 V-0) |
| Material of housing | PA (UL 94 V-0) |

Cable data

Contacts 14, male angled connector, cable outlet 6 - 8 mm

Electrical values

| | |
|-----------------------|--------------------|
| Rated voltage | 60 V |
| Rated impulse voltage | 500 V |
| Pollution degree | I |
| Overvoltage category | I |
| Material group | III |
| Rated current (40°C) | 3 A |
| Volume resistivity | ≤ 3 mΩ |
| EMV compliance | not shielded |
| Degree of protection | IP 40 |
| Mechanical operation | >500 mating cycles |



Product Male angled connector, cable outlet 6-8 mm
Area Bayonet connectors

serie 678

Pole 14
Article number 99 0653 72 14

Date: 2014-07-20 - Page 2 of 2

Item description

