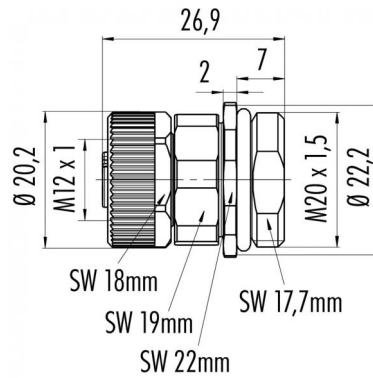


Product Area	Flanschdose, POWER, T-Kodierung, M20 x 1,5 M 12 - DC-POWER-connectors T-coded	serie 813	Pole	4
			Article number	99 0634 500 04

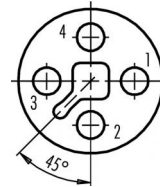
illustration



scale drawing



Contact Arrangement



	X	Y
1	2,55	0,00
2	0,00	-2,55
3	-2,55	0,00
4	0,00	2,55

You can find the assembly instruction on the next page.

Technical data

Common values

Wire gauge (mm)	1,50 mm ²
Wire gauge (AWG)	16
Cable outlet	-
Upper temperature	+85 °C
Lower temperature	-40 °C

Material

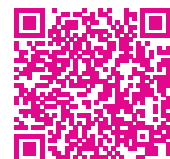
Material of contact body	PA
Material of housing	zinc diecasting, nickel plated

Cable data

Polzahl: 4, Flanschdose, POWER, T-Kodierung, M20 x 1,5

Electrical values

Rated voltage	60 V
Rated impulse voltage	1500 V
Pollution degree	3
Overvoltage category	III
Material group	III
Rated current (40°C)	12 A
Volume resistivity	≤ 3 mΩ
Degree of protection	IP 67
Mechanical operation	>100 mating cycles

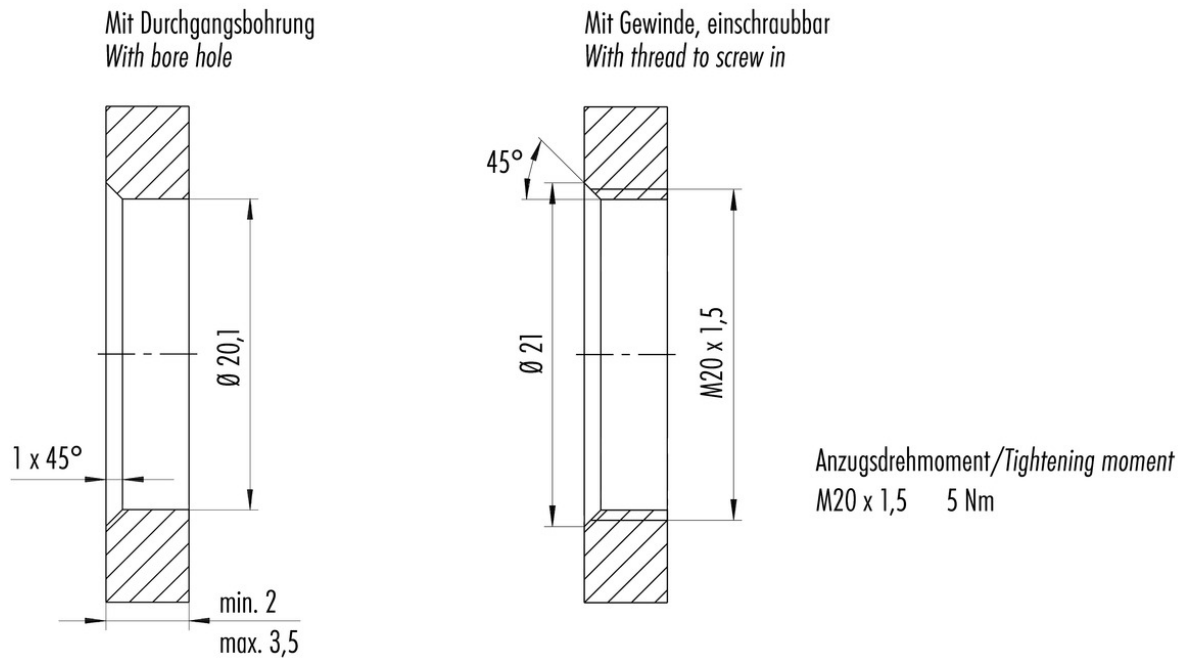


Product Flanschdose, POWER, T-Kodierung, M20 x 1,5
Area M 12 - DC-POWER-connectors T-coded serie 813

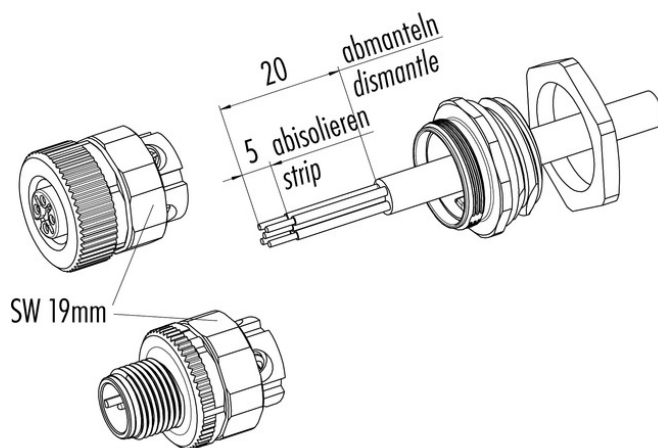
Pole 4
Article number 99 0634 500 04

Date: 2014-07-20 - Page 2 of 2

Installation instructions / Mounting cutout



Installation instructions / Mounting cutout



Litzenquerschnitt
Wire cross section
max. 1,5 mm² 4-polig/contacts

Kontakteinsatz
Contact insert
4 x 90° verdrehbar/adjustable

Anzugsdrehmoment
Tightening torque
SW 19 Mutter/nut = 5 Nm M18 x 0,75
M20 x 1,5 = 5 Nm