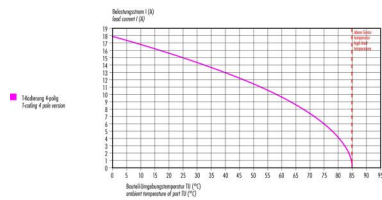


Product Area	Kabelstecker, POWER, T-Kodierung M 12 - DC-POWER-connectors T-coded	serie 813	Pole	4
			Article number	99 0629 19 04

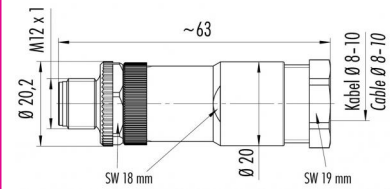
Deratingkurven



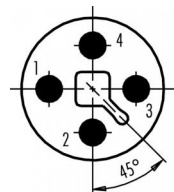
Illustration



Scale drawing



Contact Arrangement



	X	Y
1	-2,55	0,00
2	0,00	-2,55
3	2,55	0,00
4	0,00	2,55

You can find the assembly instruction on the next page.

Technical data

Common values

Termination	screw clamp
Wire gauge (mm)	1,50 mm ²
Wire gauge (AWG)	16
Cable outlet	8 - 10 mm
Upper temperature	+85 °C
Lower temperature	-40 °C

Material

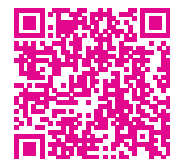
Material of contact body	PA
Material of housing	PA

Cable data

Polzahl: 4, Kabelstecker, POWER, T-Kodierung

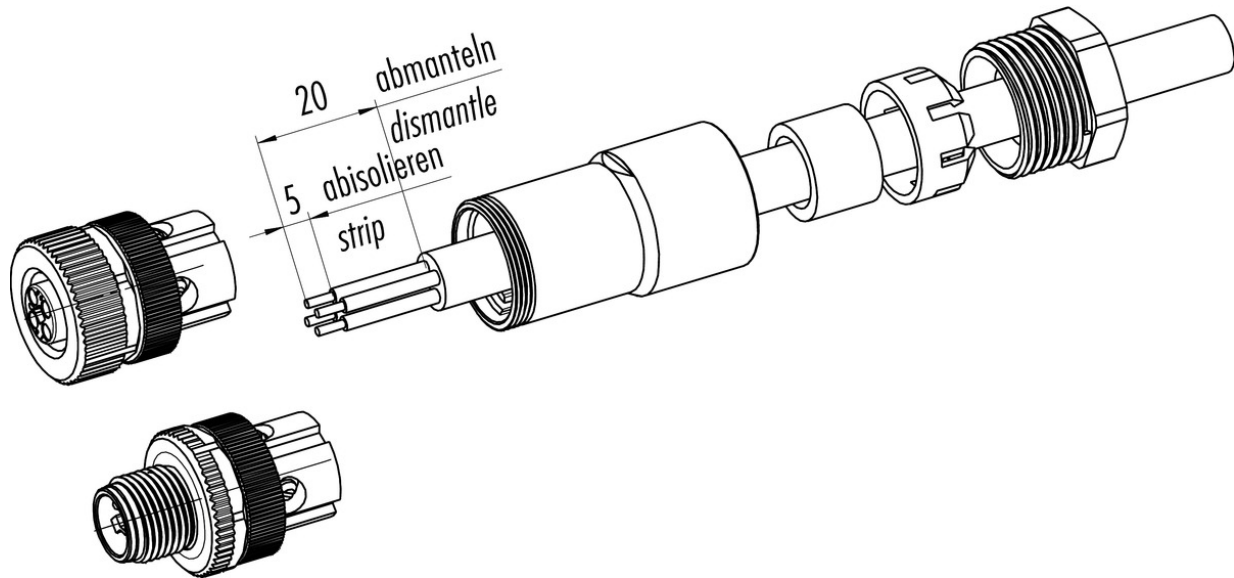
Electrical values

Rated voltage	60 V
Rated impulse voltage	1500 V
Pollution degree	3
Overvoltage category	III
Material group	III
Rated current (40°C)	12 A
Volume resistivity	≤ 3 mΩ
Degree of protection	IP 67
Mechanical operation	>100 mating cycles



Product Area	Kabelstecker, POWER, T-Kodierung M 12 - DC-POWER-connectors T-coded	serie 813	Pole	4
			Article number	99 0629 19 04

Installation instructions / Mounting cutout



Date: 2014-07-20 - Page 2 of 2