

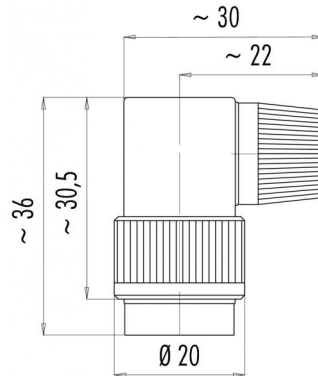
Product Area Female angled connector, cable outlet 4-6 mm Bayonet connectors serie 678

Pole Article number 6 DIN 99 0618 70 06

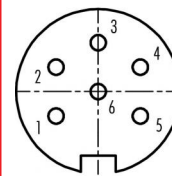
illustration



scale drawing



Contact Arrangement



| | X | Y |
|---|-------|-------|
| 1 | -3,03 | -1,75 |
| 2 | -3,03 | 1,75 |
| 3 | 0,00 | 3,50 |
| 4 | 3,03 | 1,75 |
| 5 | 3,03 | -1,75 |
| 6 | 0,00 | 0,00 |

You can find the item description on the next page.

Technical data

Common values

| | |
|--------------------------|-------------------------------|
| Connector Design | Female angled cable connector |
| Connector locking system | BayonetHocking |
| Termination | solder |
| Wire gauge (mm) | 0,75 mm ² |
| Wire gauge (AWG) | 20 |
| Cable outlet | 4 - 6 mm |
| Upper temperature | +85 °C |
| Lower temperature | -40 °C |

Material

| | |
|--------------------------|-----------------|
| Material of contact | CuSn (bronze) |
| Contact plating | Ag (silver) |
| Material of contact body | PBT (UL 94 V-0) |
| Material of housing | PA (UL 94 V-0) |

Cable data

Contacts 6 DIN, female angled connector, cable outlet 4 - 6 mm

Electrical values

| | |
|-----------------------|--------------------|
| Rated voltage | 250 V |
| Rated impulse voltage | 1500 V |
| Pollution degree | I |
| Overvoltage category | I |
| Material group | III |
| Rated current (40°C) | 6 A |
| Volume resistivity | ≤ 5 mΩ |
| EMV compliance | not shielded |
| Degree of protection | IP 40 |
| Mechanical operation | >500 mating cycles |



Product Area Female angled connector, cable outlet 4-6 mm
Bayonet connectors serie 678

Pole 6 DIN
Article number 99 0618 70 06

Date: 2014-07-20 - Page 2 of 2

Item description

