

Product
Area

Male socket
Bayonet connectors

serie 678

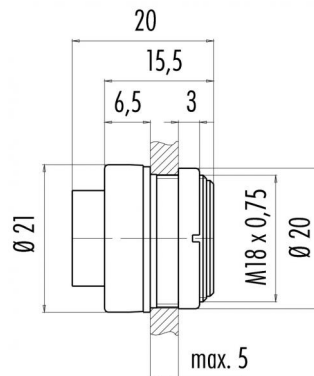
Pole
Article number

5
99 0615 00 05

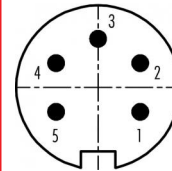
illustration



scale drawing



Contact Arrangement



| | X | Y |
|---|-------|-------|
| 1 | 3,03 | -1,75 |
| 2 | 3,03 | 1,75 |
| 3 | 0,00 | 3,50 |
| 4 | -3,03 | 1,75 |
| 5 | -3,03 | -1,75 |

You can find the assembly instruction on the next page.

Technical data

Common values

| | |
|--------------------------|----------------------|
| Connector Design | Male socket |
| Connector locking system | BayonetHocking |
| Termination | solder |
| Wire gauge (mm) | 0,75 mm ² |
| Wire gauge (AWG) | 20 |
| Cable outlet | - |
| Upper temperature | +85 °C |
| Lower temperature | -40 °C |

Material

| | |
|--------------------------|-----------------|
| Material of contact | CuZn (brass) |
| Contact plating | Ag (silver) |
| Material of contact body | PBT (UL 94 V-0) |
| Material of housing | PA (UL 94 V-0) |

Cable data

Contacts 5, male socket

Electrical values

| | |
|-----------------------|--------------------|
| Rated voltage | 250 V |
| Rated impulse voltage | 1500 V |
| Pollution degree | I |
| Overvoltage category | I |
| Material group | III |
| Rated current (40°C) | 6 A |
| Volume resistivity | ≤ 5 mΩ |
| EMV compliance | not shielded |
| Degree of protection | IP 40 |
| Mechanical operation | >500 mating cycles |



Product
Area

Male socket
Bayonet connectors

serie 678

Pole
Article number

5
99 0615 00 05

Installation instructions / Mounting cutout

